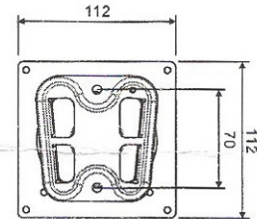
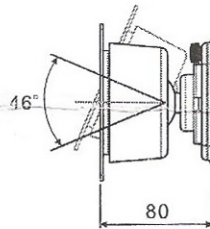
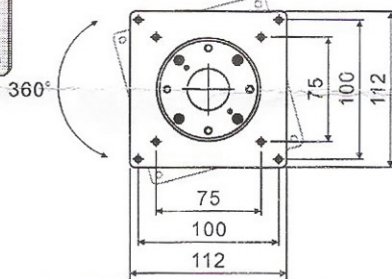
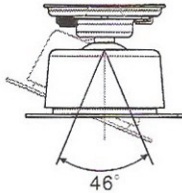
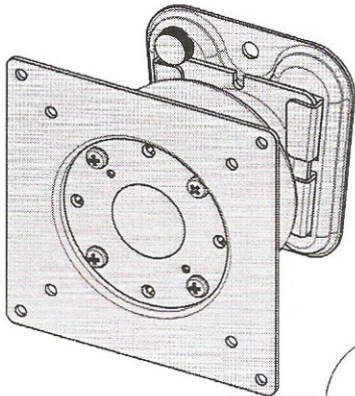


LCD Monitor Wall Mounts

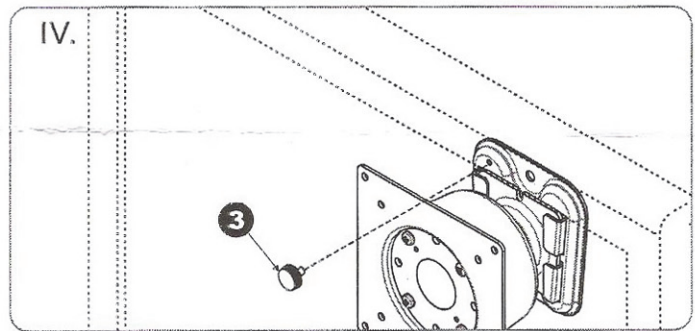
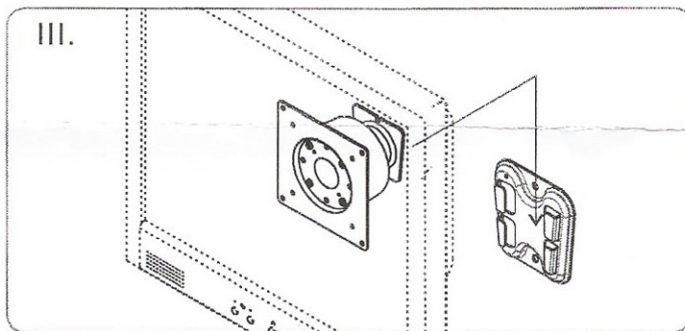
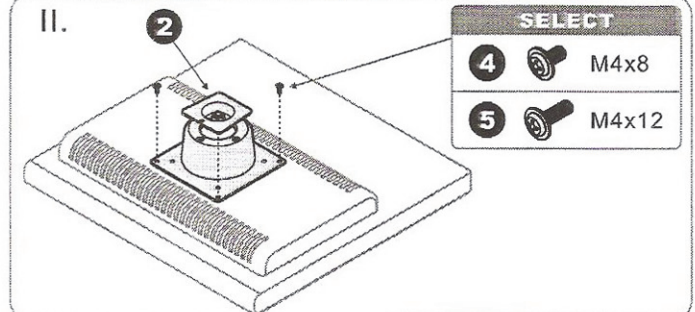
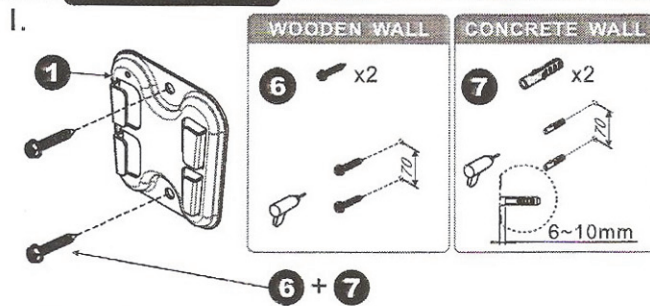
Specification



- ◆ For LCD Monitor /TV size up to 26" ; Max Load: 15kgs
- ◆ Meets VESA standard: 75 x 75 / 100 x 100 mm.
- ◆ Monitor adjustable: 360 degrees;
Monitor up & down adjustable: 46 degrees;
Left/Right swivel: 46 degrees
- ◆ Distance between TV backside and partition: 80 mm
- ◆ Recommended wall thickness: 50 mm

Unit : mm

Installation



Parts List

MAIN PARTS

ITEM	1	2	3
PART			
QTY	1	1	1

PARTS FOR TV BRACKETS

ITEM	4	5
PART	M4x8	M4x12
QTY	4	4

PARTS FOR WALL BRACKETS

ITEM	6	7
PART	1/4x1.5"	
QTY	2	2