

# Flush Mount Plate for Mighty Dome

## VT-MD-FMP

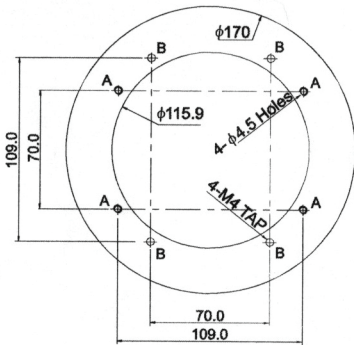
### INSTALLATION MANUAL

#### Assembly

- Fixing a this Flush Mount Plate for Junction Box.
- Construct just like a under drawing.
- Do care about direction of Hole Position.

#### Specification

Construction	Steel
Finish	Light-gray polyester powder coat.
Max. Load	12 lb (5.5Kg)
Environment	Indoor/outdoor
Dimension	



Unit : mm

