

Connections

1. Mount a lens onto the camera.
2. Set the lens selection switch (AES/AI).
3. Connect a video terminal of the camera (VIDEO) and the video input terminal of the video monitor with a 75Ω coaxial cable.
4. Connect an audio terminal of the camera (AUDIO) and the audio input terminal of the video monitor.
5. Connect the power terminal of the camera to a 12V DC regulated power supply.

Installation of Auto Iris Lens Connector

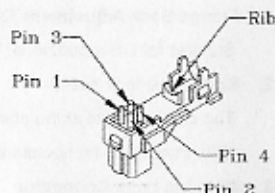
Install the lens connector when using a Video drive lens.

The installation should be made by qualified service personnel or system installers.

Cut the iris control cable at the edge of the lens connector to remove the existing lens connector and then remove the outer cable cover of the supplied connector as shown in the diagram.

The pin assignment of the auto iris lens connector is as follows:

	VIDEO	DC
Pin 1:	Power source	Damp -
Pin 2:	Video signal	Damp +
Pin 3:	Not used	Driver +
Pin 4:	Ground, Shield	Driver -



Solder the lens cable to the pins of the supplied connector.

Focus or Flange-Back Adjustment

The following adjustment should be made by qualified service personnel or system installers.

1. Mount the lens by turning it clockwise on the lens mount of the camera.
2. Loosen the screws on the flange-back adjusting ring.
3. Turn the flange-back adjusting ring to the desired position.
4. Tighten the screws on the flange-back adjusting ring.

Standard Accessories

- Main body *1
- HEX wrench *1
- C mount adaptor ring * 1
- Iris header *1
- Instruction manual *1



VTC-B301

B/W CCD CAMERA

Operating Instructions

CAUTION

1. Please use correct power adaptor, DC12V (regulated), to operate this unit. The power tolerance of this unit is DC 12V ± 10% (DC10.8V~13.2V), over maximum DC13.2V power input will damage this unit.
 2. Video output (BNC connector) of this unit can be only connected to monitor. Please check the wiring of video output before power on. If the power is offered through video output, the unit will be damaged.
-
1. Por favor use el correcto adaptador de energía eléctrica DC12V (regulado) para operar esta unidad. La tolerancia de energía de esta unidad es de DC12V ± 10% (DC10.8V~13.2V). Sobrepasar el máximo de DC13.2V de la potencia de entrada dañará esta unidad.
 2. La potencia de salida del video (Conector BNC) de esta unidad puede solo ser conectado al monitor. Por favor revise los cables del video antes de encenderlo. Si la energía es dada por la potencia de salida del video, la unidad se dañará.

Thank you for choosing this high quality camera, before attempting to connect or operate this product, please read these instructions completely and carefully.

B/W CCTV CAMERA OPERATING MANUAL

SPECIFICATION	
Pick up Element	1/3" Samsung B/W CCD Image sensor
Number of Pixel	510(H) x 492(V) <EIA> / 500(H) x 582(V) <CCIR>
Resolution	380 TV lines
Min. Illumination	0.25 Lux / F2.0
S/N Ratio	More than 48dB (AGC off)
Electronic Shutter	1/60 (1/50) to 1/100,000 sec. *
Iris Mode	V.D. / D.D. / AES selectable
Video Output	1.0Vp-p composite, 75 Ω
Lens Mount	C/CS mount changeable
Microphone	Yes
Power Source	DC12V± 10%
Current Consumption	160 mA
Dimension (mm)	108(L) x 62(W) x 50(H)
Weight	360 g

WARNING:
TO PREVENT FIRE OR ELECTRIC SHOCK HAZARD,
DO NOT EXPOSE THIS APPLIANCE TO RAIN OR MOISTURE.

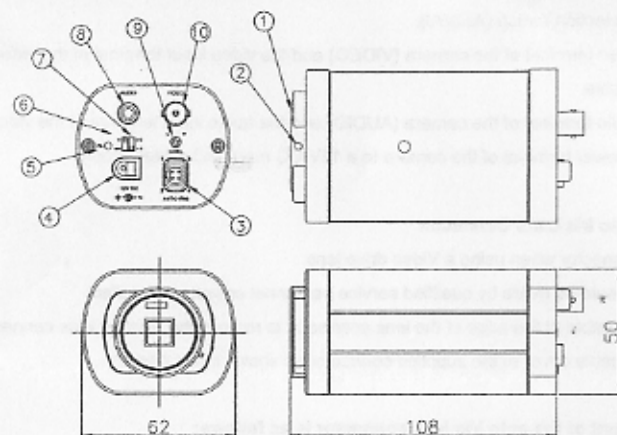
General

This is a B/W CCD video camera employs a 1/3" Samsung charge coupled device solid-state imaging device which provide extremely long life and high reliability. The camera offers excellent reproducibility with low lag and high burn resistance, and is not subject to distortion from magnetic fields and the camera functions reliability in wide temperature range.

Features

1. Horizontal resolution of 380 TV lines.
2. Built in Auto Electronic Shutter.
3. Minimum illumination of 0.25Lux/F2.0 .
4. Signal-to-noise ration of 48dB.
5. Long life and high reliability.

Major Operating Control and Functions



- 1. Flange Back Adjustment Ring**
 Suitable for CS-mount lens, When use C-mount lens, please use the CS-C conversion Ring.
- 2. Back focal lock screw**
 The camera is set at the standard back focal position . Depending on types of lenses, however slight adjustment may be necessary. Adjust the lens back-focus by turning the focusing knob.
- 3. Auto iris Lens Connector**
 Supplies power and control signals to an auto iris lens.
- 4. DC12V Input Terminal**
 This terminal is for connecting the 12V DC regulated power supply.
- 5. Power LED Indicator**
 The Power LED Indicator indicates normal during operation.
- 6. AES/AI Selector**
 Lets you select the mode according to the lens type that is used with this camera.
 AES: Select this mode when a fixed iris lens or manual iris lens is used with this camera.
 AI: Select this mode when an auto iris lens is used with this camera.
- 7. IRIS V.D./D.D. Selector**
 Lets you select the mode according to the lens type that is used with this camera.
 V.D. : Select this mode when a VIDEO Drive auto iris lens is used with this camera.
 D.D. : Select this mode when a Direct Drive auto iris lens is used with this camera.
- 8. Audio Output Connector (AUDIO OUT)**
 This connector is for connecting with the AUDIO IN connector of the video monitor.
- 9. DC Drive Level Adjustment**
 When you use a Direct Drive Lens, you can adjust the DC Drive Level for the bright of video output.
- 10. Video Output Connector (VIDEO OUT)**
 This connector is for connecting with the VIDEO IN connector of the video monitor.