



VTC-TTAT28R2F
VTC-TTAT28R2V
**2.1 Megapixel Outdoor HD-TVI/
AHD/CVBS IR Turret Cameras**



FEATURES

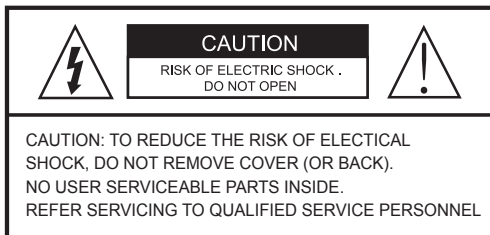
- 1/3" 2.1 MegaPixel CMOS Sensor
- HD-TVI & AHD/CVBS Video Output
- 2.8~12mm Varifocal Lens (VTC-TTAT2HR2V) or 3.6mm Fixed Lens Options (VTC-TTAT28R2F)
- 2 High Power Infrared LED's with 100' IR Range (VTC-TTAT2HR2V) or 28 Infrared LED's with 70' IR Range (VTC-TTAT28R2F)
- Digital Wide Dynamic Range (D-WDR)
- True Mechanical Day/Night function by ICR
- 3D-DNR Noise Reduction
- IP66 Weather Resistance
- Supports Up The COAX Control
- Over 1500' HD Video Transmission (Depending on cable characteristics and integrity)
- Optional Junction Box Mount Available (VT-TJB01) / Wall Mount (VT-TWM03) Also Available for VTC-TTAT2HR2V
- Available in Ivory or Charcoal Gray
- 12VDC Operation



VITEK

Safety Precaution

- To prevent electrical shock and risk of fire hazards, do not expose this unit to rain or moisture and only use specified power source..



The symbol is intended to alert the user to the presence of uninsulated "dangerous voltage" within the product's enclosure that may be of sufficient magnitude to constitute a risk of electrical shock.



The symbol is intended to alert the user to the presence of important operating and maintenance (servicing) instructions in the literature accompanying the unit.






• **Warning :**

This equipment has been tested and found to comply with the limits for a Class A digital device, pursuant to part 15 of the FCC Rules. These limits are designed to provide reasonable protection against harmful interference when the equipment is operated in a commercial environment. This equipment generates, uses, and can radiate radio frequency energy and, if not installed and used in accordance with the instruction manual, may cause harmful interference to radio communications. Operation of this equipment in a residential area is likely to cause harmful interference in which case the user will be required to correct the interference at their own expense.

• **Caution :**

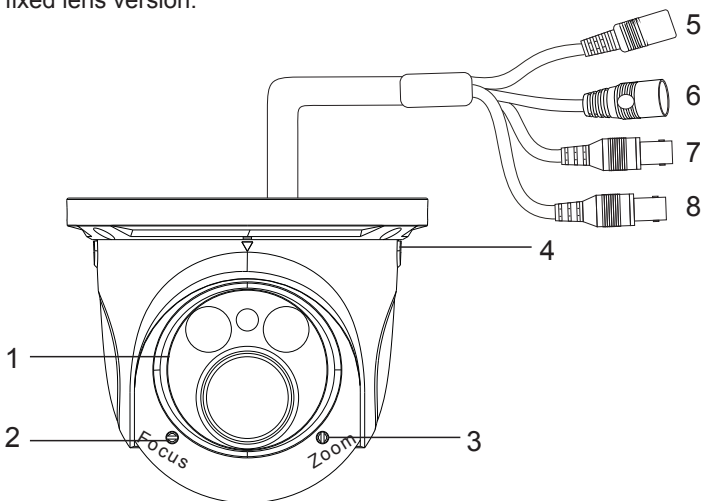
Any changes or modifications in construction of this device which are not expressly approved by the party responsible for compliance could void the user's authority to operate the equipment.
Main power quality should be that of a typical commercial environment. If the user of the model requires continued operation during power interruptions, it is recommended that the device be powered from an uninterruptible power supply (UPS).

Components and Accessories

Camera		Hex Wrench	
User Manual		Mounting Plate	
Screws			

Overview

This camera series supports both fixed and varifocal lenses. Please note that the zoom and focus features mentioned below are not features of the fixed lens version.

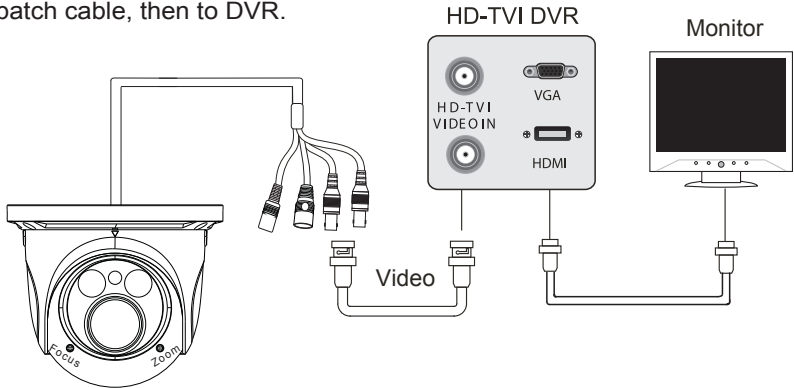


1	Lens	5	Power Cable
2	Focus*	6	AHD/CVBS Switch
3	Zoom*	7	AHD/CVBS Output
4	Lock Screws	8	HD-TVI Output

*VTC-TTAT2HR2V Only

Video Connection

Connect the HD-TVI Video or AHD/CVBS video connector to a BNC patch cable, then to DVR.



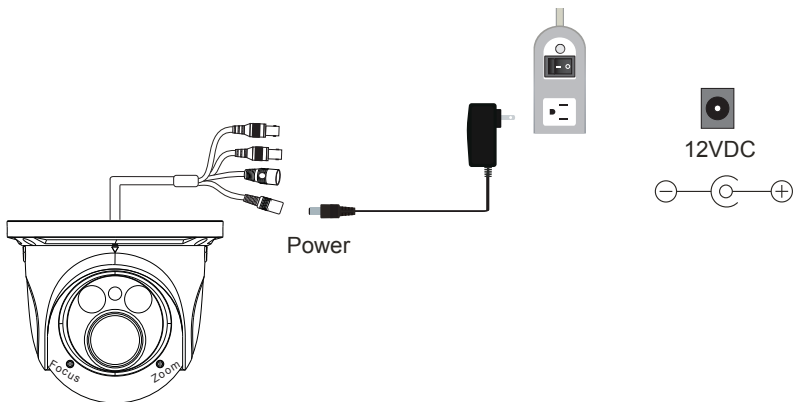
AHD/CVBS Switch:

Switch to CVBS Mode: Press & Hold the Switch for 5 seconds

Switch to AHD Mode: Press & Release the Switch quickly

Power Connection

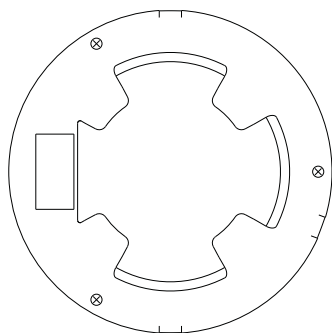
Connect the power connector to a 12 VDC power adaptor.



Installation

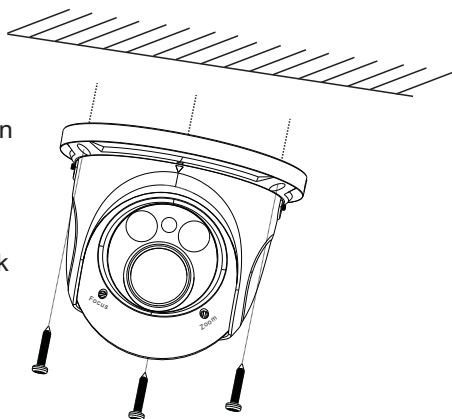
Before you begin, please make sure that the wall or ceiling is strong enough to withstand 3 times the weight of the camera. The mounting steps are as follows:

1. Attach the drill template to the place where you want to install the camera, then drill 3 screw holes and 1 cable hole (if you want to route the cables through the mounting base) according to the drill template



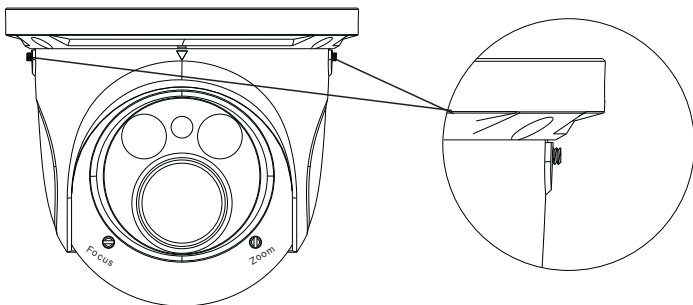
2. Route the cables and connect the power & video cables, then secure the mounting base to the ceiling or wall with screws.

3. Loosen the lock screws, then adjust the camera to obtain the optimum viewing angle. Confirm the correct viewing angle with a monitor. (See next page for location of lock screws)

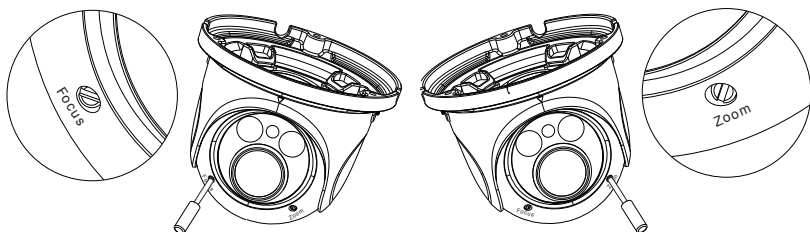


Installation

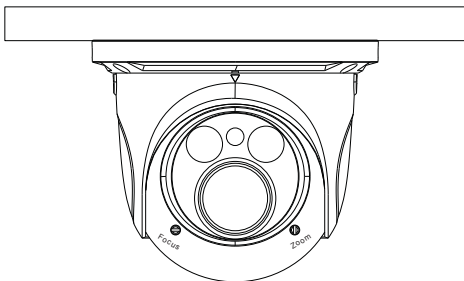
4. Tighten the lock screws to secure the viewing angle adjustments.



5. Adjust the Focus and Zoom screws to achieve a clear image (if your camera has a fixed lens, please skip this step).



6. Carefully remove the protective film from the lens to complete the installation.



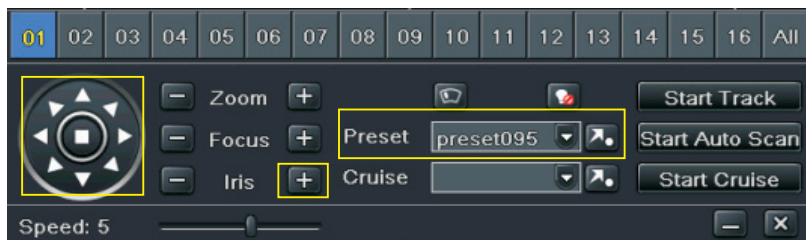
Camera OSD Menu


The Transcendent HD-TVI/AHD camera series must be connected to a DVR which supports HD-TVI/AHD video signal input and COC protocol to access the OSD setup menu. Different DVRs manufacturers may have different modes of menu operation.

The following menu toolbar will pop up by right-clicking the mouse when using VITEK Transcendent Series HD-TVI DVRs.



You will see the following interface by clicking the  button.



Click “Iris +” to go to the main menu. You can also select preset NO. 95, then click the  button (call preset NO.95) to go to the following main menu.

MAIN MENU

▶ 1. LENS	MANUAL
2. EXPOSURE	↵
3. BACKLIGHT	OFF
4. WHITE BAL	AWB
5. DAY&NIGHT	EXT ↵
6. NR	↵
7. SPECIAL	↵
8. ADJUST	↵
9. EXIT	SAVE&END ↵

You can select the menu by clicking ▲ (U) or ▼ (D) key on the direction area. Click ◀ (L) or ▶ (R) key to select the menu on the left. The menu with arrow icon which means it has sub-menu. You can select the menu and click “Iris +” or call preset NO.95 to enter the sub-menu. To return to the previous menu or exit the main menu, please select “RET” or “Save & END” by clicking U or D key and then click “Iris +” or call preset NO.95.

Detailed Specifications	VTC-TTAT28R2F	VTC-TTAT2HR2V
Image Sensor	1/3" 2.1 MegaPixel CMOS Sensor	
Resolution	1080p (2.1 MegaPixel)	
Effective Pixels	1920(H) x 1080(V)	
Signal System	PAL/NTSC	
Video Output	1x HD-TVI (BNC) & 1 AHD/CVBS (BNC)	
Lens	3.6mm Fixed	2.8~12mm (Vari-Focal)
Day/Night	True Day/Night by ICR	
S/N Ratio	>52dB (AGC OFF)	
Auto Gain Control	OFF ~ 44.8dB	
Min Illumination	0 Lux (LED ON)	
IR LEDs	28	2 x High Power
IR Distance	70'	100'
Color-B/W Auto Switch	Yes	
Electronic Shutter	1/50s ~ 1/67500s	
White Balance	AWB	
WB Range	2300 ~ 9600K	
BLC	Yes	
WDR	Digital WDR	
Transmission Distance	Up to 1500' (Depending on cable characteristics & integrity)	
Up the COAX Control	YES	
Noise Reduction	Yes	
Weather Resistance	IP66	
Power Supply	12VDC	
Working Environment	-4 ~ 122 / 10% ~ 90% Humidity	
Weight	13.05 oz. / 0.82 lbs. / 370g	24.30 oz. / 1.52 lbs. / 689g
Dimensions	3.43" x 4.25" (87 x 108mm) Dia x H	4.29" x 5.12" (109 x 130mm) Dia x H



VT-TWM03
Optional Wall Mount
with cable feed
through (for VTC-
TTAT2HR2V only)

LIMITED PRODUCT WARRANTY

VITEK products carry a three (3) year limited warranty. VITEK warrants to the purchaser that products manufactured by VITEK are free of any rightful claim of infringement or the like, and when used in the manner intended, will be free of defects in materials and workmanship for a period of three (3) years, or as otherwise stated above, from the date of purchase by the end user. This warranty is nontransferable and extends only to the original buyer or end user customer of a VITEK Authorized Reseller.

The product must have been used only for its intended purpose, and not been subjected to damage by misuse, willful or accidental damage, caused by excessive voltage or lightning.

The product must not have been tampered with in any way or the guarantee will be considered null and void.

This guarantee does not affect your statutory rights.

Contact your local VITEK Reseller should servicing become necessary.

VITEK makes no warranty or guarantee whatsoever with respect to products sold or purchased through unauthorized sales channels. Warranty support is available only if product is purchased through a VITEK Authorized Reseller.



28492 CONSTELLATION ROAD VALENCIA, CA 91355
WWW.VITEKCCTV.COM

Version 2.0
June 2016