



VTD-TTD30R2V 2.1 Megapixel Vandal Resistant HD-TVI IR Dome Camera



FEATURES

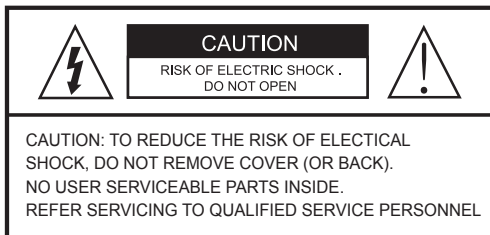
- 1/3" 2.1 Megapixel Progressive Scan CMOS image sensor
- 2.1 MegaPixel Video Transmission over COAX cable at distances of up to 1500' using HD-TVI Technology*
- 2.8~12mm Varifocal Lens
- 30 Infrared LED's with 100' IR Range
- Digital Wide Dynamic Range (D-WDR)
- True Mechanical Day/Night function by ICR
- 3D-DNR Noise Reduction
- IP66 Weather Resistance
- 12VDC Operation



VITEK

Safety Precaution

- To prevent electrical shock and risk of fire hazards, do not expose this unit to rain or moisture and only use specified power source..



The symbol is intended to alert the user to the presence of uninsulated "dangerous voltage" within the product's enclosure that may be of sufficient magnitude to constitute a risk of electrical shock.



The symbol is intended to alert the user to the presence of important operating and maintenance (servicing) instructions in the literature accompanying the unit.






• **Warning :**

This equipment has been tested and found to comply with the limits for a Class A digital device, pursuant to part 15 of the FCC Rules. These limits are designed to provide reasonable protection against harmful interference when the equipment is operated in a commercial environment. This equipment generates, uses, and can radiate radio frequency energy and, if not installed and used in accordance with the instruction manual, may cause harmful interference to radio communications. Operation of this equipment in a residential area is likely to cause harmful interference in which case the user will be required to correct the interference at their own expense.

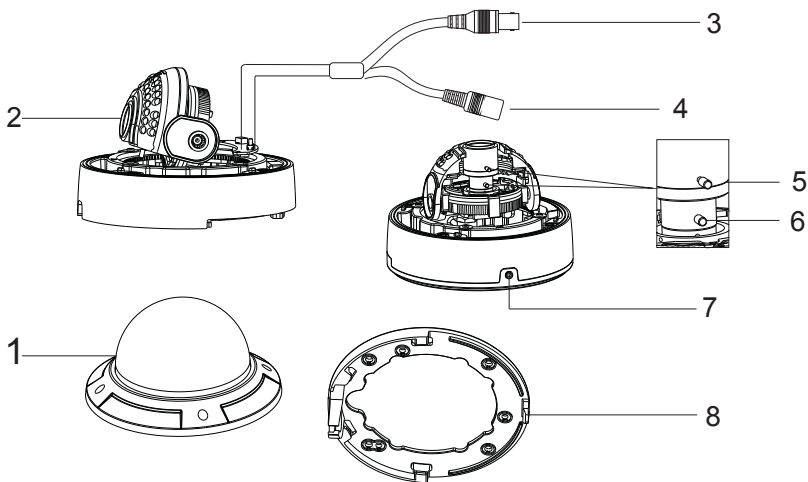
• **Caution :**

Any changes or modifications in construction of this device which are not expressly approved by the party responsible for compliance could void the user's authority to operate the equipment.
Main power quality should be that of a typical commercial environment. If the user of the model requires continued operation during power interruptions, it is recommended that the device be powered from an uninterruptible power supply (UPS).

Components and Accessories

Camera		Screws	
User Manual		Hex Wrench	
Drill Template			

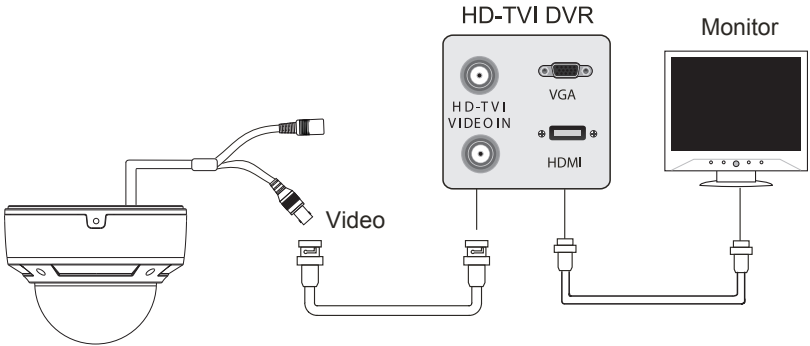
Overview



1	Lower Dome	5	Focus
2	Lens	6	Zoom
3	Video Cable	7	Lock Screw
4	Power Cable	8	Mounting Base

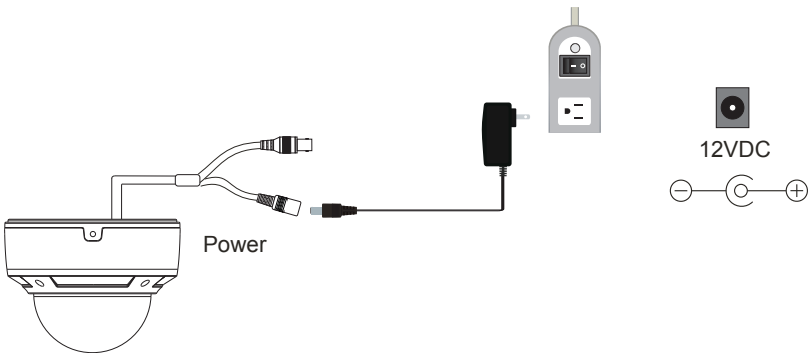
Video Connection

Connect the video connector to a BNC patch cable.



Power Connection

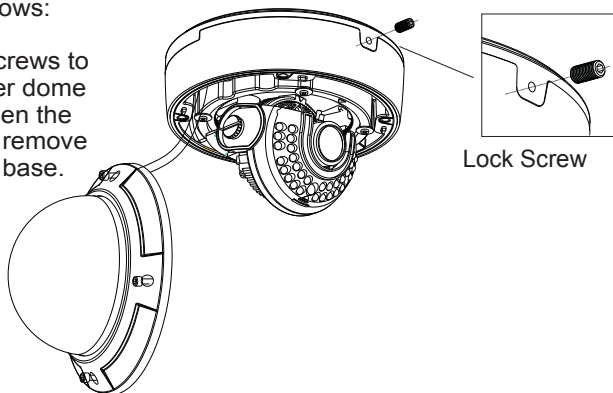
Connect the power connector to a 12 VDC power adaptor.



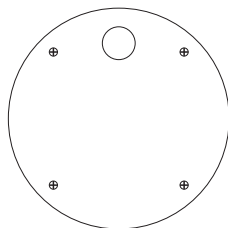
Installation

Before starting, please make sure that the wall or ceiling is strong enough to withstand 3 times the weight of the camera. The mounting steps are as follows:

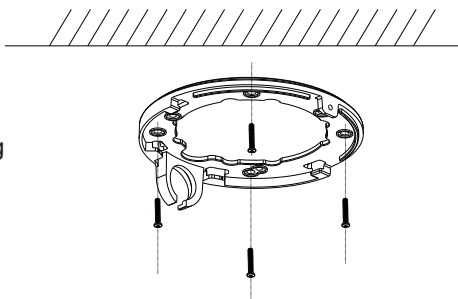
1. Loosen the screws to open the lower dome and then loosen the lock screw to remove the mounting base.



2. Attach the drill template to the place where you want to install the camera, then drill 4 screw holes and 1 cable hole (if you want to route the cables through the mounting base) according to the drill template.

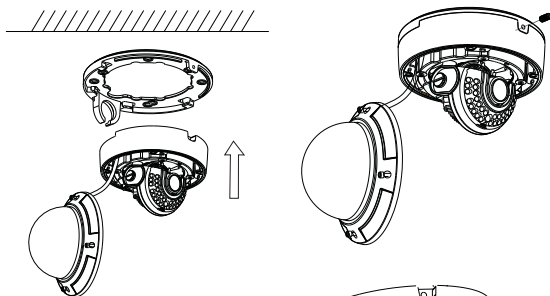


3. Route the cables and connect the power & video cables, then secure the mounting base to the ceiling or wall with screws.

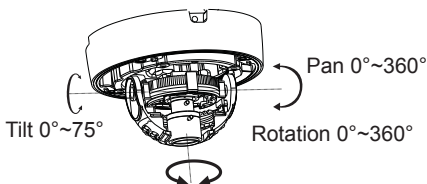


Installation

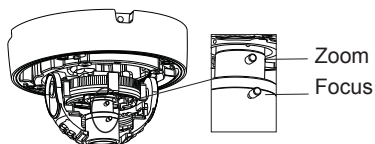
4. Install the camera to the mounting base with the lock screw.



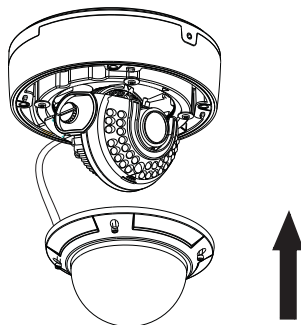
5. Adjust the Three-axis camer bracket to obtain the optimum viewing angle.



6. Adjust the Focus and Zoom screw to achieve a clear image.



7. Install the dome bubble on the camera with the screws, then carefully remove the protective film to complete the installation.



Detailed Specifications

Image Sensor	1/3" CMOS (AR0330 + NVR2421 + TP2801)
Video Compression	Standard H.264
Resolution	1080P (2 MegaPixel)
Effective Pixels	1920(H) x 1080(V)
Signal System	PAL/NTSC
Synchronization	Internal
Lens	2.8~12mm (Vari-Focal)
S/R Ratio	>52dB (AGC OFF)
Auto Gain Control	OFF ~44.8dB
Min Illumination	0 Lux (LED ON)
IR LEDs	30
IR Distance	100'
Color-B/W Auto Switch	Yes
Electronic Shutter	1/50s~ 1/67500s
White Balance	AWB
WB Range	2300~9600K
ICR	Yes
BLC	Yes
WDR	Digital WDR
Transmission Distance	Up to 1500' (Depending on cable characteristics & integrity)
Noise Reduction	Yes
Video Output	BNC x 1
Weather Resistance	IP66
Power Supply	DC 12V (±10%)
working Environment	-4 ~ 122 / 10%~90% Humidity
Weight	34.22 oz. / 2.14 lbs. / 970g
Dimensions	3.10" x 3.58" x 5.70" (78.7 × 90.9 × 144.7mm) H x W x Dia

LIMITED PRODUCT WARRANTY

VITEK products carry a three (3) year limited warranty. VITEK warrants to the purchaser that products manufactured by VITEK are free of any rightful claim of infringement or the like, and when used in the manner intended, will be free of defects in materials and workmanship for a period of three (3) years, or as otherwise stated above, from the date of purchase by the end user. This warranty is nontransferable and extends only to the original buyer or end user customer of a VITEK Authorized Reseller.

The product must have been used only for its intended purpose, and not been subjected to damage by misuse, willful or accidental damage, caused by excessive voltage or lightning.

The product must not have been tampered with in any way or the guarantee will be considered null and void.

This guarantee does not affect your statutory rights.

Contact your local VITEK Reseller should servicing become necessary.

VITEK makes no warranty or guarantee whatsoever with respect to products sold or purchased through unauthorized sales channels. Warranty support is available only if product is purchased through a VITEK Authorized Reseller.

