



VTM-143C

14" Color CRT Monitor



- 450 TV Lines At Center on a 14" Diagonal Screen
- Attractive Black Metal Cabinet
- Digital Front Panel Controls For: Tint, Color, Brightness, Contrast
- Front Panel Video Source Buttons for: Video1 / Video2 / S-Video
- 2 Looping Video Inputs & Dual Audio In / Out
- Rack Kit Available: VI-141CRM

VITEK

CYAN

MAGENTA

YELLOW

BLACK

SAFETY INSTRUCTIONS



CAUTION : TO REDUCE THE RISK OF ELECTRIC SHOCK, DO NOT REMOVE COVER, NO USER-SERVICEABLE PARTS INSIDE. REFER SERVICING TO QUALIFIED SERVICE PERSONNEL.

NOTE : This equipment has been tested and found to comply with the limits for a Class B digital device, pursuant to Part 15 of the FCC Rules. These limits are designed to provide reasonable protection against harmful interference in a residential installation. This equipment generates, uses, and can radiate radio frequency energy and, if not installed and used in accordance with the instructions, may cause harmful interference with radio communications. However, there is no guarantee that interference will not occur in a particular installation. If this equipment does cause harmful interference with radio or television reception, which can be determined by turning the equipment off and on, the user should correct the interference by taking one or more of the following actions:

- Re-orient or relocate the receiving antenna.
- Increase the distance between the equipment and receiver.
- Connect the equipment to an outlet on a circuit different from that to which the receiver is connected.
- Consult the dealer or an experienced Radio/TV technician for help.

The user may find the following booklet prepared by the Federal Communications Commission helpful:
HOW TO IDENTIFY AND RESOLVE RADIO-TV INTERFERENCE PROBLEMS.

This booklet is available from the US Government Printing Office, Washington, DC 20402, Stock Number 004-000-00345-4

1) Read Instructions

All the safety and operating instructions should be read before the appliance is operated.

2) Retain Instructions

The safety and operating instructions should be retained for future reference.

3) Heed Warnings

All warnings on the product and in the operating instructions should be adhered to.

4) Follow Instructions

All operating and use instructions should be followed.

5) Cleaning

Unplug this product from the wall outlet before cleaning. Do not use liquid cleaners or aerosol cleaners. Use a damp cloth for cleaning the unit.

Exception: A product that is meant for uninterrupted service and that for some specific reason, such as the possibility of the loss of an authorization code for a CATV converter, is not intended to be unplugged by the user for cleaning or any other purpose, may exclude the reference to unplugging the product in the cleaning description.

6) Attachments

Do not use attachments not recommended by the product manufacturer as they may cause hazards.

7) Water and Moisture

Do not use this product near water, for example near a bath tub, wash bowl, kitchen sink, or laundry tube in a wet basement or near a swimming pool and the like.

8) Accessories

Do not place this product on an unstable cart, stand, tripod, bracket or table. The product may fall, causing serious injury to a child or adult, and serious damage to the product. Use only with a cart, stand, tripod, bracket or table recommended by the manufacturer, or sold with the product. Any mounting of the product should follow the manufacturer's instructions, and should use a mounting accessory recommended by the manufacturer.

9) Any product and cart combination should be moved with care. Quick stops, excessive force, and uneven surfaces may cause the product and cart combination to overturn.

10) Ventilation

Openings in the cabinet are provided for ventilation and to ensure reliable operation of the product and to protect it from overheating and these openings must not be blocked or covered. The openings should never be blocked by placing the product on a bed, sofa, rug or other similar surface. This product should not be placed in a built-in installation such as a bookcase or rack unless proper ventilation is provided or the manufacturer's instructions have been adhered to.

SAFETY INSTRUCTIONS

11) Power Sources

This product should be operated only from the type of power resource indicated on the marking label. If you are not sure of the type of power supply to your home, consult your appliance dealer or local power company. For products intended to operate from battery power or other sources, refer to the operating instructions.

12) Grounding or Polarization

This product is equipped with a three-wire grounding-type plug a plug having a third (grounding) pin. This plug will only fit into a grounding-type power outlet. This is a safety feature. If you are unable to insert the plug into the outlet, contact your electrician to replace your obsolete outlet. Do not defeat the safety purpose of the grounding-type plug.

13) Power-Cord Protection

Power-supply cords should be routed so that they are not likely to be walked on or pinched by items placed upon or against them paying particular attention to cords at plugs, convenience receptacles, and the point where they exit from the product.

14) Protective Attachment Plug

The product is equipped with an attachment plug having overload protection. This is a safety feature. See instruction Manual for replacement or resetting of protective device. If replacement of the plug is required, be sure the service technician has used a replacement plug specified by the manufacturer that has the same overload protection as the original plug.

15) Outdoor Antenna Grounding

If an outside antenna or cable system is connected to the product, be sure the antenna or cable system is grounded so as to provide some protection against voltage surges and built-up static charges. Article 810 of the National Electrical Code. ANSI/NFPA 70, provides information with regard to proper grounding of the mast and supporting structure, grounding of the lead-in wire to an antenna discharge unit, size of grounding conductors, location of antenna-discharge unit, connection to grounding electrodes, and requirements for the grounding electrodes.

16) Lightning

For added protection for this product during a lightning storm, or when it is left unattended and unused for long periods of time, unplug the product from the wall outlet and disconnect the antenna or cable system. This will prevent damage to the product due to lightning and power line surges.

17) Power Lines

An outside antenna should not be located in the vicinity of overhead power lines or other electric light or power circuits, or where it can fall into such power lines or circuits. When installing an outside antenna system, extreme care should be taken to keep from touching such power lines or circuits as contact with them may be fatal.

18) Overloading

Do not overload wall outlets, extension cords, or integral convenience receptacles as this can result in a risk of fire or electric shock.

19) Object and Liquid Entry

Never push objects of any kind into this product through openings as they may touch dangerous voltage points or short out parts that could result in a fire or electric shock. Never spill liquid of any kind on the receiver.

20) Servicing

Do not attempt to service this product yourself as opening or removing covers may expose you to dangerous voltage or other hazards. Refer all servicing to qualified service personnel.

21) Damage Requiring Service

Unplug the product from the wall outlet and refer service opening to qualified service personnel under the following conditions:

- a) when the power-supply cord or plug is damaged,
- b) if liquid has been spilled, or objects have fallen into the product,
- c) if the product has been exposed to rain or water.
- d) if the product does not operate normally by following the operating instructions. Adjust only the controls that are covered by the operating instructions as an improper adjustment of other controls may result in damage and will often require extensive work by a qualified technician to restore the video product to its normal operation.
- e) If the product has been dropped or damaged in any way, and
- f) When the product exhibits a distinct change in performance - this indicates a need for service.

22) Replacement Parts

When replacements parts are required, be sure the service technician has used replacements parts specified by the manufacturer or have the same characteristics as the original part. Unauthorized substitutions may result in fire, electric shock or other hazards.

23) Safety Check

Upon completion of any service or repairs to this receiver, ask the service technician to perform safety checks to determine that the product is in proper operating condition.

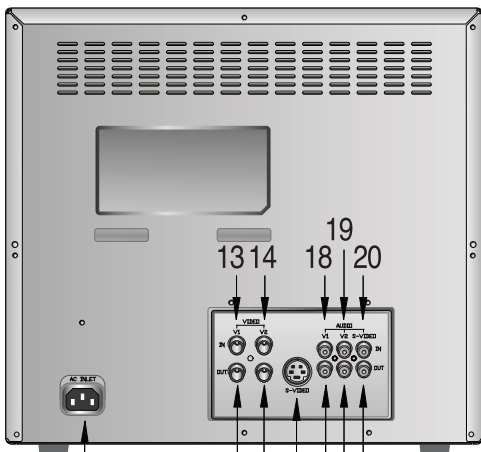
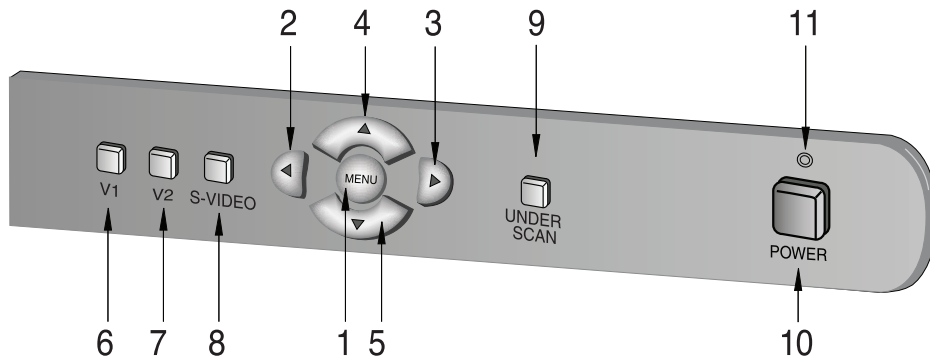
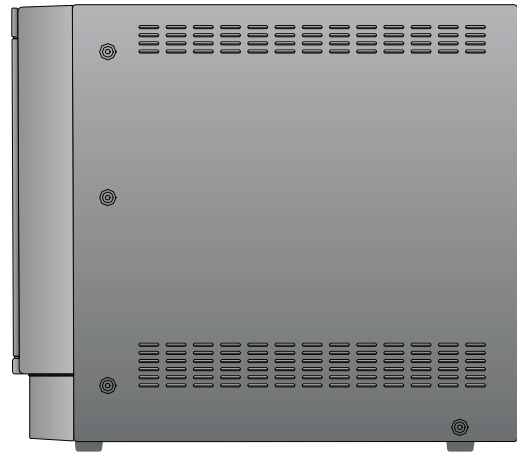
24) Wall or Ceiling Mounting

The product should be mounted to a wall or ceiling only as recommended by the manufacturer.

25) Heat

The product should be situated away from heat sources such as radiators, heat registers, stoves, or other products (including amplifiers) that produce heat.

FRONT CONTROLS / REAR INPUTS/OUTPUTS



- | | |
|--------------------|-----------------------|
| 1. MENU | 13. VIDEO 1 IN |
| 2. LEFT | 14. VIDEO 2 IN |
| 3. RIGHT | 15. VIDEO 1 OUT |
| 4. UP | 16. VIDEO 2 OUT |
| 5. DOWN | 17. S-VIDEO |
| 6. VIDEO 1 | 18. AUDIO V1 IN |
| 7. VIDEO 2 | 19. AUDIO V2 IN |
| 8. S-VIDEO | 20. AUDIO S-VIDEO IN |
| 9. UNDER SCAN | 21. AUDIO V1 OUT |
| 10. POWER BUTTON | 22. AUDIO V2 OUT |
| 11. POWER LED LAMP | 23. AUDIO S-VIDEO OUT |
| 12. AC INLET | |

CONTROLS & A/V INPUT/OUTPUT FUNCTIONS

FRONT PANEL CONTROLS:

VIDEO 1 Button

Set the switch to VIDEO 1 is set when camera jack is used.

VIDEO 2 Button

Set the switch to VIDEO 2 is set when camera jack is used.

S-VIDEO Button

Set the switch to S-VHS if the S-VIDEO jack is used.

UNDER SCAN

Press the button, select the desired display size for OVER SCAN and UNDER SCAN.

POWER Button

Press to turn the monitor ON. The POWER LAMP above the switch will illuminate.

POWER LED LAMP

Power lamp indicates the power is on.

REAR PANEL A/V INPUT/OUTPUT:

AC INPUT

Use 100-240V AC, 50/60 Hz. To prevent electrical shocks and fire hazards, do not use any other power source.

VIDEO INPUT & OUTPUT CONNECTORS

These BNC connectors permit looping of a video signal in those installations where it is desirable to display the video signal on more than one monitor. A standard 1.0 Vp-p video signal applied to the VIDEO INPUT will also appear at the VIDEO OUTPUT. Use coaxial cables with BNC type plugs for these connections.

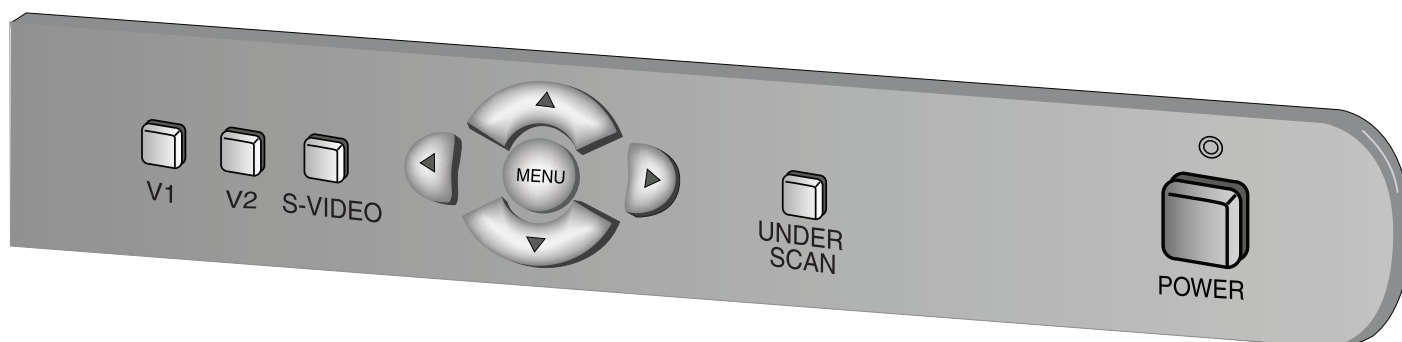
S-VIDEO JACK

If the camera or other video source outputs an S-VIDEO signal, connect it directly to this jack.

AUDIO INPUT & OUTPUT CONNECTORS

Connect an RCA cable between these jacks and the audio output jack of a camera or VCR.

OSD MENU ADJUSTMENTS



Access the OSD Menu:

Press the MENU button and use the arrow up/down buttons and arrow left/right to navigate the menu system. To exit the OSD menus, press MENU repeatedly until the menu closes.

Contrast adjustment:

Adjust the CONTRAST control for the desired overall display contrast. Proper adjustment will allow maximum gradations between the darkest and lightest picture areas.

Brightness adjustment:

Adjust the BRIGHTNESS control for the desired overall display brightness. This control is also useful to compensate for differences in area lighting.

Color adjustment:

Adjust the COLOR control to set the color saturation level.

Sharpness adjustment:

Adjust the SHARPNESS control to set the sharpness level.

Tint adjustment:

Adjust the TINT control for the proper color phase or flesh tones.

Scan operation:

To move the cursor with the arrow up/down buttons and enter the next page by pressing the arrow left/right buttons. Change the scan operation to over/under by pressing the arrow left/right buttons.

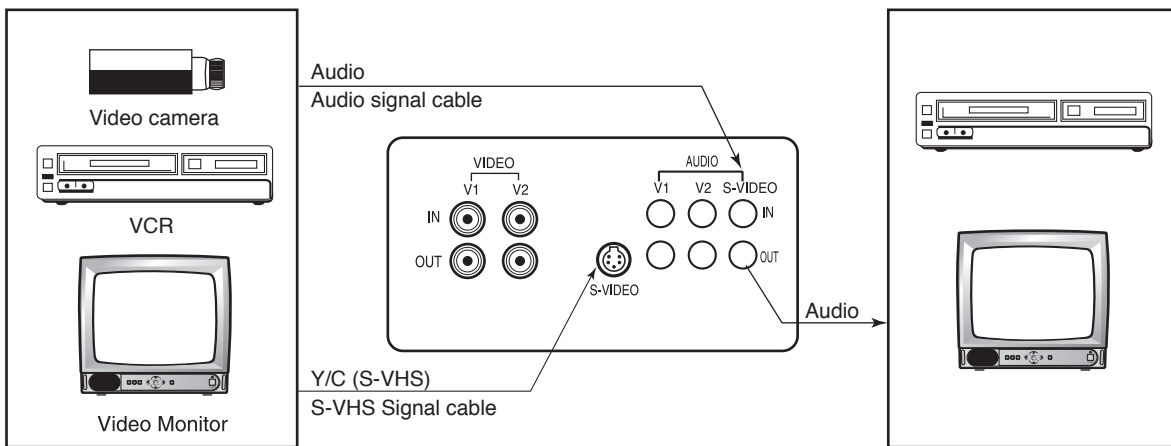
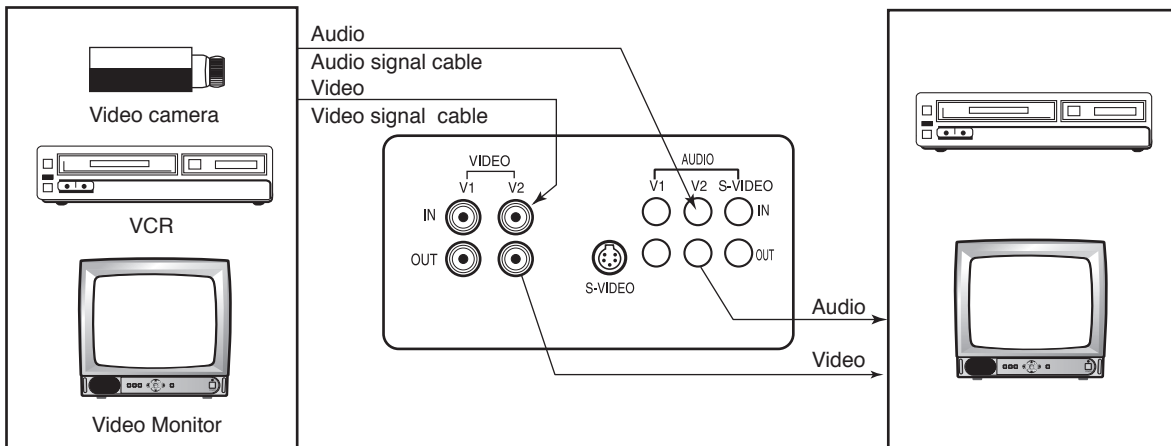
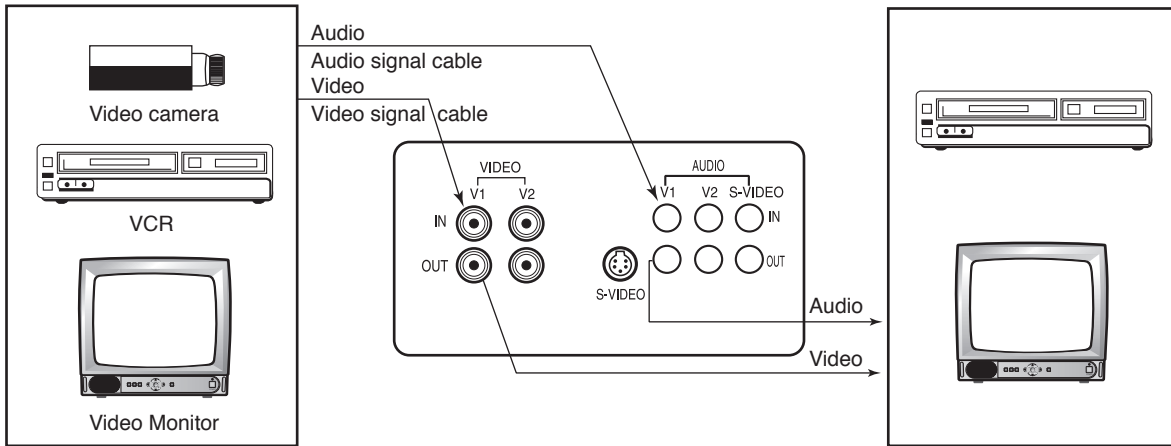
Degauss operation:

To move the cursor with the arrow up/down buttons and enter the next page by pressing the arrow left/right buttons. When pressing the arrow left/right buttons, degaussing is operating.

Preset operation:

To move the cursor with the arrow up/down buttons and enter the next page by pressing the arrow left/right buttons. When pressing the arrow left/right buttons, change adjustment value to factor condition.

CONNECTING THE MONITOR



NOTES



NOTES



SPECIFICATIONS

DETAILED SPECIFICATIONS

Picture Tube	14" diagonal with 90° deflection angle
Resolution	450 TV Lines
Video System	NTSC / PAL
A/V Terminals	Looping BNC Video In/Out, S-Video Input, Audio In/Out
Input Signal	Video Composite: 1Vp-p
Sound output	1.0 W
Speaker	3W
Power Source	AC 100-240V~, 50/60 Hz
Power Consumption	45 Watts
Operating Temperature	32°-106° F (0°-40° C)
Dimensions(W x H x D)	13.8" x 12.9" 14.6" (350 x 328 x 371 mm)
Weight	30.9 lb (14Kg)

WARRANTY INFORMATION

LIMITED LIABILITY WARRANTY

VITEK monitors carry a two (2) year limited warranty FOB VITEK warehouse, except for CRT Monitors (picture tube) which carry a ninety (90) day warranty due to potential misuse. VITEK warrants to the purchaser that products manufactured by VITEK are free of any rightful claim of infringement or the like, and when used in the manner intended, will be free of defects in materials and workmanship for a period of two (2) years, or as otherwise stated above, from the date of purchase.

VITEK'S obligation under this warranty shall be limited to the repair, including all necessary parts and cost of labor connected therewith, or at its option, the exchange or a credit issued towards the purchase price of any video equipment which shows evidence of a manufacturing defect within the warranty period. Replacement parts furnished in connection with this warranty shall be warranted for a period equal to the UN-expired portion of the original equipment warranty.

This warranty shall not apply to repairs or replacements necessitated by any cause beyond the control of VITEK, including but not limited to, acts of nature, improper installation, misuse, lack of proper maintenance, accident, voltage fluctuations, and unauthorized repairs or modifications. This warranty becomes VOID in the event serial numbers are altered, defaced, or removed. Shipping charges, if any, must be prepaid. A copy of the bill of sale (or invoice of purchase), together with a complete explanation of the problem must accompany all returns.

A return authorization number or "RA" number must be obtained prior to the return of any item for repair, replacement, or credit. VITEK requires that this "RA" number be printed clearly on the outside of the shipping carton to avoid refusal of said shipment. The Return Authorization number expires after 30 days. Products returned after (30) days are subject to refusal of returned merchandise.



28492 CONSTELLATION ROAD VALENCIA, CA 91355
WWW.VITEKCCTV.COM | 888-VITEK-70



28492 CONSTELLATION ROAD VALENCIA, CA 91355
WWW.VITEKCCTV.COM | 888-VITEK-70