

LIMITED LIABILITY WARRANTY

VITEK products carry a two (2) year limited warranty FOB VITEK warehouse, except for monitor CRTs which carry a ninety (90) day warranty due to potential misuse of contrast controls. The analog video recorders (vcrs) carry a one (1) year warranty and our Digital products are also warranted for 2 years except for the hard drives which carry their own factory warranty. VITEK warrants to the purchaser that products manufactured by VITEK are free of any rightful claim of infringement or the like, and when used in the manner intended, will be free of defects in materials and workmanship for a period of two (2) years, or as otherwise stated above, from the date of purchase.

VITEK's obligation under this warranty shall be limited to the repair, including all necessary parts and cost of labor connected therewith, or at its option, the exchange or a credit issued towards the purchase price of any video equipment which shows evidence of a manufacturing defect within the warranty period. Replacement parts furnished in connection with this warranty shall be warranted for a period equal to the UN-expired portion of the original equipment warranty.

This warranty shall not apply to repairs or replacements necessitated by any cause beyond the control of VITEK, including but not limited to, acts of nature, improper installation, misuse, lack of proper maintenance, accident, voltage fluctuations, and unauthorized repairs or modifications. This warranty becomes VOID in the event serial numbers are altered, defaced, or removed. Shipping charges, if any, must be prepaid. A copy of the bill of sale (or invoice of purchase), together with a complete explanation of the problem must accompany all returns.

A return authorization number or "RA" number must be obtained prior to the return of any item for repair, replacement, or credit. VITEK requires that this "RA" number be printed clearly on the outside of the shipping carton to avoid refusal of said shipment. The Return Authorization number expires after 30 days. Products returned after (30) days are subject to refusal of returned merchandise.

VITEK

Industrial Video Products, Inc.

9970 GLENOAKS BLVD. UNIT B SUN VALLEY, CA 91352
PHONE: 888-VITEK-70 / 818-771-0300 FAX: 818-771-0400
WWW.VITEKCCTV.COM | SALES@VITEKCCTV.COM

VITEK
Industrial Video Products, Inc.

VTM-LCD601
6.1" LCD Monitor



- 6.1" Color TFT LCD Display
- 2 Switchable Video / 2 Stereo Audio Inputs (L/R)
- 12VDC Auto-Activated Third Video Input for use in Rear Vision Mobile Applications
- IR Remote Control Included
- Built-In Stereo Speakers
- Mirror Function (Flip), Rotate (Up/Down) for Versatility in Mobile Applications



CAUTION
RISK OF ELECTRICAL SHOCK
DO NOT OPEN



CAUTION : TO REDUCE THE RISK OF ELECTRIC SHOCK, DO NOT REMOVE COVER, NO USER-SERVICEABLE PARTS INSIDE. REFER SERVICING TO QUALIFIED SERVICE PERSONNEL.

NOTE : This equipment has been tested and found to comply with the limits for a Class A digital device, pursuant to Part 15 of the FCC Rules. These limits are designed to provide reasonable protection against harmful interference in a residential installation. This equipment generates, uses, and can radiate radio frequency energy and, if not installed and used in accordance with the instructions, may cause harmful interference with radio communications. However, there is no guarantee that interference will not occur in a particular installation. If this equipment does cause harmful interference with radio or television reception, which can be determined by turning the equipment off and on, the user should correct the interference by taking one or more of the following actions:

- Re-orient or relocate the receiving antenna.
- Increase the distance between the equipment and receiver.
- Connect the equipment to an outlet on a circuit different from that to which the receiver is connected.
- Consult the dealer or an experienced Radio/TV technician for help.

The user may find the following booklet prepared by the Federal Communications Commission helpful: HOW TO IDENTIFY AND RESOLVE RADIO-TV INTERFERENCE PROBLEMS. This booklet is available from the US Government Printing Office, Washington, DC 20402, Stock Number 004-000-00345-4

1) Read Instructions

All the safety and operating instructions should be read before the appliance is operated.

2) Retain Instructions

The safety and operating instructions should be retained for future reference.

3) Heed Warnings

All warnings on the product and in the operating instructions should be adhered to.

4) Follow Instructions

All operating and use instructions should be followed.

5) Cleaning

Unplug this product from the wall outlet before cleaning. Do not use liquid cleaners or aerosol cleaners. Use a damp cloth for cleaning the unit. Exception: A product that is meant for uninterrupted service and that for some specific reason, such as the possibility of the loss of an authorization code for a CATV converter, is not intended to be unplugged by the user for cleaning or any other purpose, may exclude the reference to unplugging the product in the cleaning description otherwise required in 5).

6) Attachments

Do not use attachments not recommended by the product manufacturer as they may cause hazards.

7) Water and Moisture

Do not use this product near water, for example near a bath tub, wash bowl, kitchen sink, or laundry tube in a wet basement or near a swimming pool and the like.

8) Accessories

Do not place this product on an unstable cart, stand, tripod, bracket or table. The product may fall, causing serious injury to a child or adult, and serious damage to the product. Use only with a cart, stand, tripod, bracket or table recommended by the manufacturer, or sold with the product. Any mounting of the product should follow the manufacturer's instructions, and should use a mounting accessory recommended by the manufacturer.

9) An product and cart combination should be moved with care. Quick stops, excessive force, and uneven surfaces may cause the product and cart combination to overturn.

10) Ventilation

Slots and openings in the cabinet are provided for ventilation and to ensure reliable operation of the product and to protect it from overheating and these openings must not be blocked or covered. The openings should never be blocked by placing the product on a bed, sofa, rug or other similar surface. This product should not be placed in a built-in installation such as a bookcase or rack unless proper ventilation is provided or the manufacturer's instructions have been adhered to.

11) Power Sources

This product should be operated only from the type of power resource indicated on the marking label. If you are not sure of the type of power supply to your home, consult your appliance dealer or local power company. For products intended to operate from battery power or other sources, refer to the operating instructions.

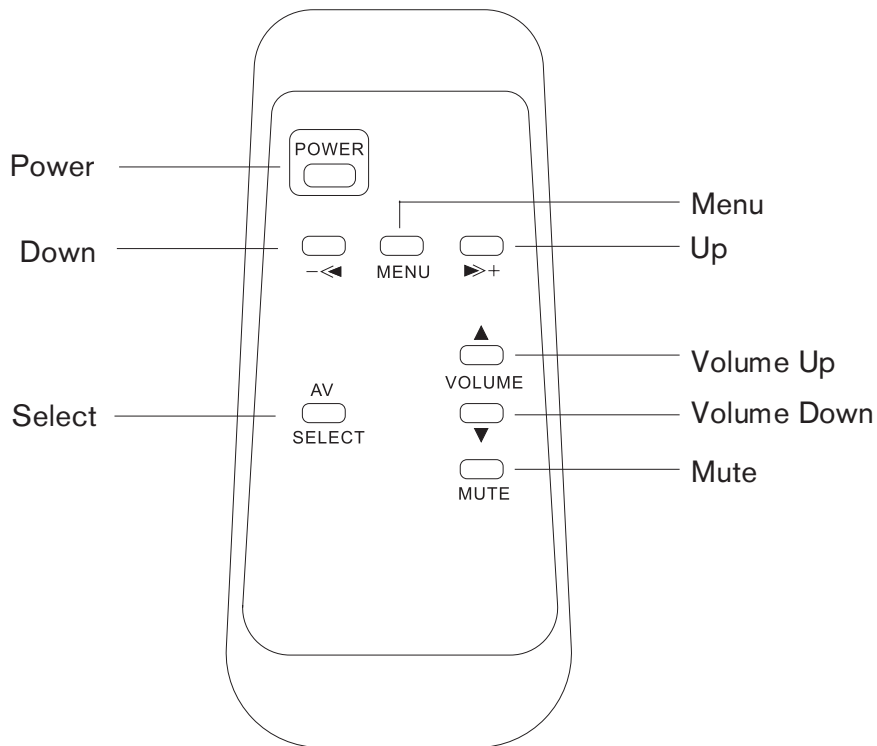
SPECIFICATIONS

VTM-LCD601

Display Size	6.1" Color TFT
Pixel Resolution	320 x 234
Contrast Ratio	300:1
Display System	NTSC
Input Signal	1.0 Vp-p composite, 75 Ohm
Video Input	2 x RCA / Plus 1 Auto-Activated by 12VDC (3 Total)
Audio Input	2 x RCA (Stereo)
Audio Out	1 x 3.5mm Mini-Stereo (Headphone Jack)
Internal Speakers	2 Internal Stereo Speakers
Power Input	12VDC Power Supply (Included)
Power Consumption	9W
OSD Functions	Brightness, Contrast, Saturation, Hue, Video Source, Image Flip / Image Rotate
Included Accessories	IR Remote Control, Removable Stand, A/V Patch Cable, 12VDC Plug-In Transformer
Dimensions (W x H x D)	7.13" x 4.96" x 1.41" (181mm x 126mm x 36mm)
Weight	22.5 Oz. (638g)



IR REMOTE CONTROL



12) Grounding or Polarization

This product is equipped with a three-wire grounding-type plug having a third (grounding) pin. This plug will only fit into a grounding-type power outlet. This is a safety feature. If you are unable to insert the plug into the outlet, contact your electrician to replace your obsolete outlet. Do not defeat the safety purpose of the grounding-type plug.

13) Power-Cord Protection

Power-supply cords should be routed so that they are not likely to be walked on or pinched by items placed upon or against them paying particular attention to cords at plugs, convenience receptacles, and the point where they exit from the product.

14) Protective Attachment Plug

The product is equipped with an attachment plug having overload protection. This is a safety feature. See instruction Manual for replacement or resetting of protective device. If replacement of the plug is required, be sure the service technician has used a replacement plug specified by the manufacturer that has the same overload protection as the original plug.

15) Outdoor Antenna Grounding

If an outside antenna or cable system is connected to the product, be sure the antenna or cable system is grounded so as to provide some protection against voltage surges and built-up static charges. Article 810 of the National Electrical Code, ANSI/NFPA 70, provides information with regard to proper grounding of the mast and supporting structure, grounding of the lead-in wire to an antenna discharge unit, size of grounding conductors, location of antenna-discharge unit, connection to grounding electrodes, and requirements for the grounding electrodes. See Figure 1-1.

16) Lightning

For added protection for this product during a lightning storm, or when it is left unattended and unused for long periods of time, unplug the product from the wall outlet and disconnect the antenna or cable system. This will prevent damage to the product due to lightning and power line surges.

17) Power Lines

An outside antenna should not be located in the vicinity of overhead power lines or other electric light or power circuits, or where it can fall into such power lines or circuits. When installing an outside antenna system, extreme care should be taken to keep from touching such power lines or circuits as contact with them may be fatal.

18) Overloading

Do not overload wall outlets, extension cords, or integral convenience receptacles as this can result in a risk of fire or electric shock.

19) Object and Liquid Entry

Never push objects of any kind into this product through openings as they may touch dangerous voltage points or short out parts that could result in a fire or electric shock. Never spill liquid of any kind on the receiver.

20) Servicing

Do not attempt to service this product yourself as opening or removing covers may expose you to dangerous volt-age or other hazards. Refer all servicing to qualified service personnel.

21) Damage Requiring Service

Unplug the product from the wall outlet and refer service opening to qualified service personnel under the following conditions:

- a) when the power-supply cord or plug is damaged,
- b) if liquid has been spilled, or objects have fallen into the product,
- c) if the product has been exposed to rain or water.
- d) if the product does not operate normally by following the operating instructions. Adjust only the controls that are covered by the operating instructions as an improper adjustment of other controls may result in dam-age and will often require extensive work by a qualified technician to restore the video product to its nor-mal operation.
- e) if the product has been dropped or damaged in any way, and
- f) When the product exhibits a distinct change in performance - this indicates a need for service.

22) Replacement Parts

When replacements parts are required, be sure the service technician has used replacements parts specified by the manufacturer or have the same characteristics as the original part. Unauthorized substitutions may result in fire, electric shock or other hazards.

23) Safety Check

Upon completion of any service or repairs to this receiver, ask the service technician to perform safety checks to determine that the product is in proper operating condition.

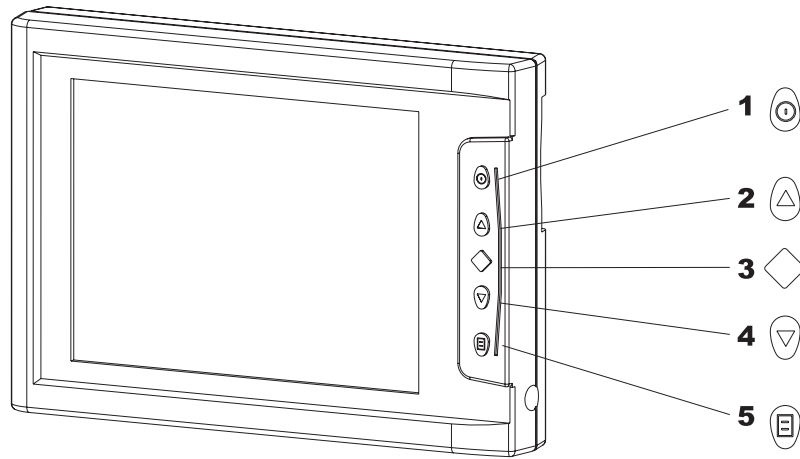
24) Wall or Ceiling Mounting

The product should be mounted to a wall or ceiling only as recommended by the manufacturer.

25) Heat

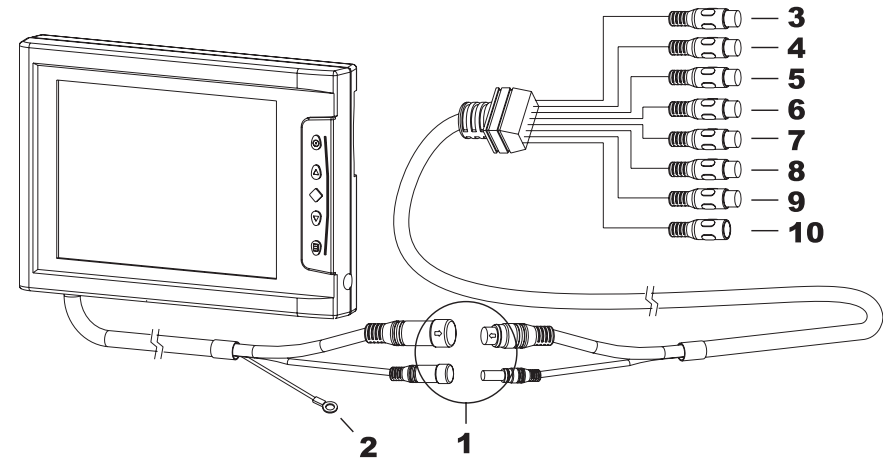
The product should be situated away from heat sources such as radiators, heat registers, stoves, or other products (including amplifiers) that produce heat.

FRONT PANEL CONTROLS



- 1 POWER BUTTON**
Press gently to power on the LCD monitor. Press and hold for two seconds to power off the LCD monitor.
- 2 UP BUTTON**
Adjusts the picture quality settings such as color, brightness and contrast.
- 3 IR RECEIVER**
Signal receiver from the IR remote controller
- 4 DOWN BUTTON**
Adjusts the picture quality settings such as color, brightness and contrast.
- 5 OSD MENU BUTTON**
Accesses the menu interface for various adjustments.

A/V & POWER CONNECTIONS



- 1 A/V & POWER ADAPTER**
Audio, Video, and Power Connections
- 2 ACTIVATION LEAD FOR VIDEO 3**
Activates Video 3 When 12VDC Power is Applied
- 3 AUDIO 1 RIGHT (A1R)**
Right Audio Channel 1
- 4 AUDIO 1 LEFT (A1L)**
Left Audio Channel 1
- 5 VIDEO 1 (V1)**
Video Channel 1
- 6 AUDIO 2 RIGHT (A2R)**
Right Audio Channel 2
- 7 AUDIO 2 LEFT (A2L)**
Left Audio Channel 2
- 8 VIDEO 2 (V2)**
Video Channel 2
- 9 VIDEO 3 (V3)**
Video Channel 3
- 10 DC 12V CONNECTION (DC12V)**
12V DC Power Connection