

Optional Dome Mounts to Suit any Application!



VT-MV/WMT
Wall Mount for use
with VT-MV/PLMT



VT-MV/PLMT
Pole Adapter for use
with VT-MV/WMT



VT-MV/JMT
Junction Mount
w/15 Degree Tilt



VT-MV/SB
Surface Mount Base

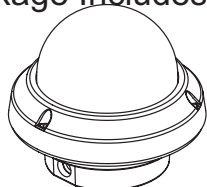


VT-MV/TB
15° Surface Mount Base

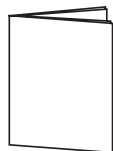


VT-MV-FMP
Flush Mount
Decorator Plate

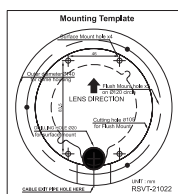
Package Includes



HD-SDI Dome Camera



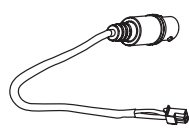
General Operation
Instructions



Mounting Template

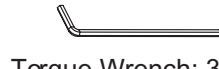


Complete Installation and
Operation Instructions on CD



Video Sub-Out Cable (1pc)

Plastic Anchor:
6 x 30mm (4pcs)



Torque Wrench: 3mm (1pc)

Mounting Screw:
4 x 30mm (4pcs)



2

VITEK VTC-HOCRAZ39/922 2.1MP HD-SDI Compact Indoor/Outdoor WDR True Day/Night Dome Camera



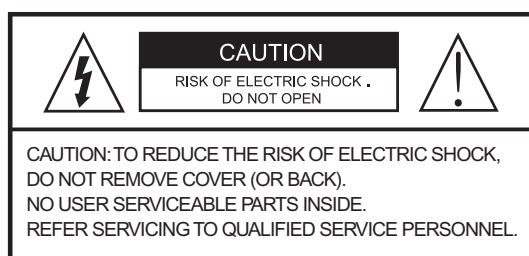
FEATURES:

- 1/2.9" Sony® CMOS
- 2.1 MegaPixel With full 1080p/720p HD-SDI Output (SMPTE 292M)
- MegaPixel IR Corrected 3-9mm (VTC-HOCRAZ39) /9-22mm (VTC-HOCRAZ922) Varifocal Lens
- Mechanical IR Cut Filter (True Day/Night)
- 16:9 Video format
- On-board Intelligence (OBI Technology) delivers Auto-Focus-Zoom by tracking motion, then optically zooming in to that area of the frame
- Fully programmable advanced WDR
- Two (2) High Power 850nm IR LEDs with up to 80' foot range
- Integrated Cooling Fan
- Advanced OSD Functions: Motion Activated Pointing Zoom, Defog, Dynamic IR, BLC/HLC, Motion Deblur, Pixel Defect Compensation, Title Set, Mirror, Flip
- 100% Pure Digital Transmission of video data
- Up to 700' HD Transmission Range (Depending on cable characteristics and integrity)
- Heavy Duty IP68 rated weather/vandal resistant aluminum construction
- 12VDC / 24VAC Dual Voltage Operation



Safety Precaution

- To prevent fire or shock hazard, do not expose the unit to rain or moisture.
- To prevent electric shocks and risk of fire hazards, do NOT use other than specific power source.



The symbol is intended to alert the user to the presence of uninsulated "dangerous voltage" within the product's enclosure that may be of sufficient magnitude to constitute a risk of electric shock to persons .



The symbol is intended to alert the user to the presence of important operating and maintenance(servicing) instructions in the literature accompanying the unit.

Warning :

This equipment has been tested and found to comply with the limits for a Class A digital device, pursuant to part 15 of the FCC Rules. These limits are designed to provide reasonable protection against harmful interference when the equipment is operated in a commercial environment . This equipment generates, uses, and can radiate radio frequency energy and, if not installed and used in accordance with the instruction manual, may cause harmful interference to radio communications. Operation of this equipment in a residential area is likely to cause harmful interference in which case the user will be required to correct the interference at his own expense.

Caution :

Any changes or modifications in construction of this device which are not expressly approved by the party responsible for compliance could void the user's authority to operate the equipment.
Mains power quality should be that of a typical commercial environment. If the user of the model requires continued operation during power mains interruptions, it is recommended that the model be powered from an uninterruptible power supply (UPS) or a battery.

3

Safety Precaution

NOTICE

- The image used in this instruction manual are processed to help comprehension and may differ from actual video of the camera.
- Avoid installing in areas where shock or vibration may occur.
- Pay attention to safety when installing the connection cable and observe that the cable is not subjected to heavy loads, kinks or damage and no moisture can get in.
- Never open the device such as boards or lens.
- The warranty becomes void if repairs are undertaken by unauthorized persons.
- Maintenance and repair have to be carried out only by authorized service centers.
- Use only a mild detergent to clean the housing.
- The camera should never be operated beyond the technical specifications. This can lead to damage to the camera and void the warranty.
- The camera should never be operated in water.

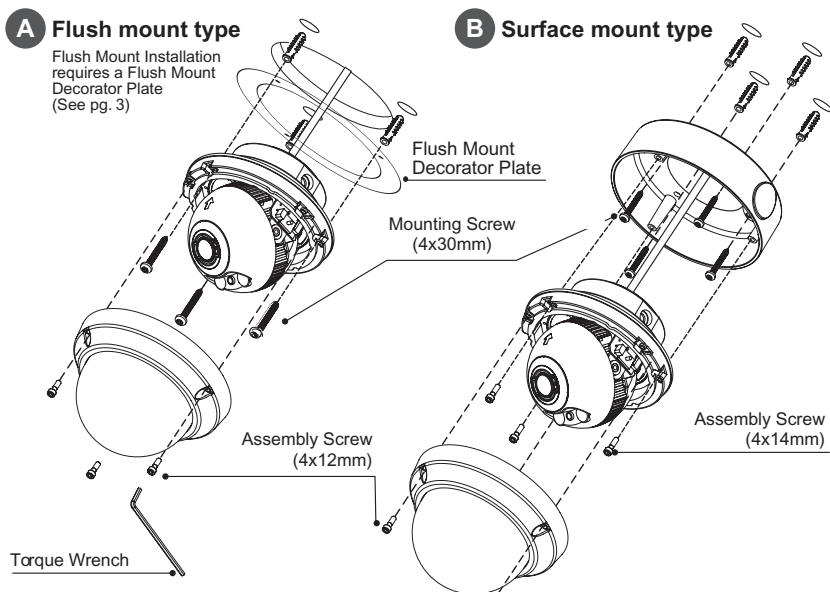
Complete Installation and Operation Instructions can be found on Included CD.



4

Installation Instructions

1. Locate the mounting template at the installation position and drill the ceiling or wall if needed.
2. Open the dome cover by loosening screws(3x12mm). Use the torque wrench supplied.
 - A. Flush mount type:** See Optional Dome Mounts (pg. 3)
 - Place the dome base unit on pre-drilled position and attach using mounting screws (4x30mm).
 - Route the Power cable to the connecting place.
 - B. Surface mount type (Option):** See Optional Dome Mounts (pg. 3)
 - Place the surface mount on pre-drilled position and attach using mounting screws (4x30mm). Assemble the cable conduit, otherwise tighten a conduit hole cap.
 - Route the Power cable to the connecting place.
 - Affix the dome base unit to the surface mount using the assembly screws (4x14mm). Before attaching the dome base make sure the assembly holes are aligned with the surface mount assembly holes.
4. Set the cameras viewing angle.
5. Replace the dome cover to the dome base unit and tighten the assembly screws.

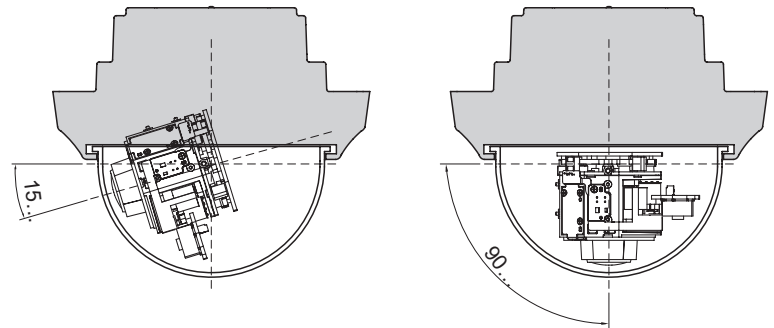


5

Installation Instructions

Limit of pan & tilt

- 1) Pan limit:
Pan is limited to +/- 165°. Do NOT force the gimbal over the limit, this will prevent internal damage.
- 2) Tilt limit:
Tilt is limited to 15° min ~ 90° max. with reference to the ceiling when the inclination of camera module is 0°, that is, the image is aligned horizontally.
- 3) Inclination limit (Horizontal image alignment):
Inclination limited to +/-60° max.



CAUTION

- Extreme care should be taken NOT to scratch the bubble dome surface while installing or adjusting the camera.
- Care should be taken that the cable is NOT damaged, kinked or exposed in a hazardous area.
- Tighten the dome cover mounting screws so that there is NO gap between Lens hood and clear bubble to avoid IR reflection

6

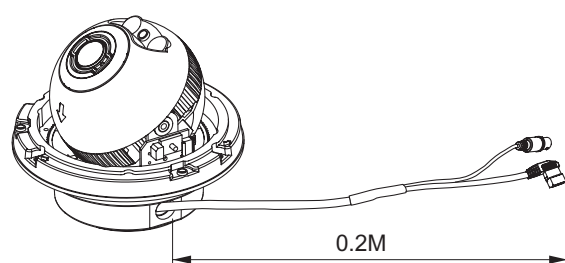
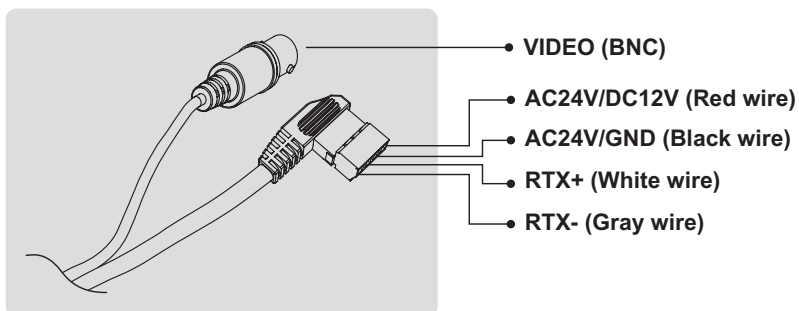
Installation Instructions

Power Supply Connections

Make sure the power is removed before installation.
Camera can work with either 24VAC or 12VDC, dual voltage power.
Primary and secondary grounds are completely isolated to avoid the possible ground-loop problems.

In case that HD-SDI Inputs are not supported by Monitor, please use HD-S DI Converter to connect HD-SDI cable with Monitor

Some computer monitors or TVs may not support 30p/25p. Please check Specification of Monitor before installation.



7

LIMITED LIABILITY WARRANTY

VITEK products carry a three (3) year limited warranty. VITEK warrants to the purchaser that products manufactured by VITEK are free of any rightful claim of infringement or the like, and when used in the manner intended, will be free of defects in materials and workmanship for a period of three (3) years, or as otherwise stated above, from the date of purchase by the end user. This warranty is nontransferable and extends only to the original buyer or end user customer of a VITEK Authorized Reseller.

The product must have been used only for its intended purpose, and not been subjected to damage by misuse, willful or accidental damage, caused by excessive voltage or lightning.

The product must not have been tampered with in any way or the guarantee will be considered null and void.

This guarantee does not affect your statutory rights.

Contact your local VITEK Reseller should servicing become necessary.

VITEK makes no warranty or guarantee whatsoever with respect to products sold or purchased through unauthorized sales channels. Warranty support is available only if product is purchased through a VITEK Authorized Reseller.



28492 CONSTELLATION ROAD
VALENCIA, CA 91355
WWW.VITEKCCTV.COM

8