



VTC-TNB42R5F2
5.0 Megapixel Indoor/Outdoor
WDR IP IR Bullet Cameras

QUICK START GUIDE



FEATURES

- 1/1.8" 5.0 Megapixel Progressive Scan CMOS image sensor
- Advanced Starlight Technology Offers Dramatically Higher Sensitivity to Light Producing Color Images in Very Dark & Night Scenes
- Up to 30fps live view @ 5 MegaPixel (2592x1944)
- 3.6mm Fixed Iris Lens
- 42 Infrared LED's with 150' IR Range
- Digital Wide Dynamic Range (D-WDR)
- True Mechanical Day/Night function by ICR
- XD-DNR (2D-DNR & 3D-DNR) Noise Reduction
- On Board Motion Detection
- H.265/H.264/MJPEG Triple Streaming
- Secondary Video Output (CVBS)
- Remote Viewing via CMS, Internet Explorer, and iOS & Android Apps
- Minimal Latency with up to 10 simultaneous user connections
- ONVIF Compliant
- IP66 Weather Resistance
- Optional Junction Box Mount Available (VT-TJB01)
- 12VDC & PoE (Power over Ethernet) Operation






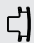




PLEASE NOTE:

Complete User Guide, Software, Tools, and Updates are available online. Scan the QR Code or visit:
<http://www.vitekctv.com/Downloads>

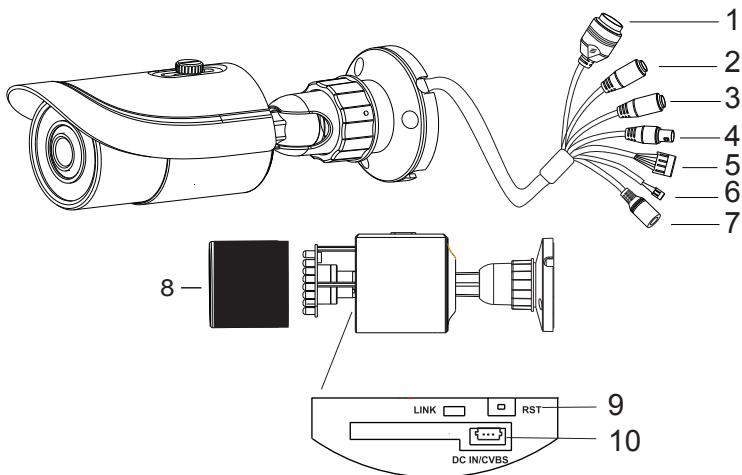


VITEK

Components and Accessories

Camera		Drill Template	
Quick Guide		Rubber Plug	
Screws		Waterproof Cap	
Hex Wrench		Service Port Cable	

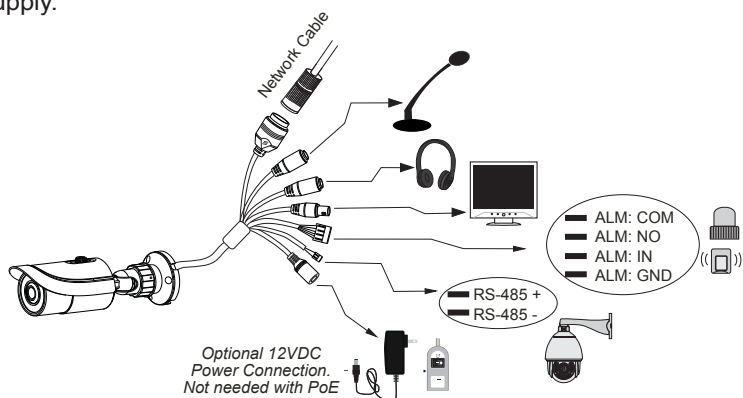
Overview



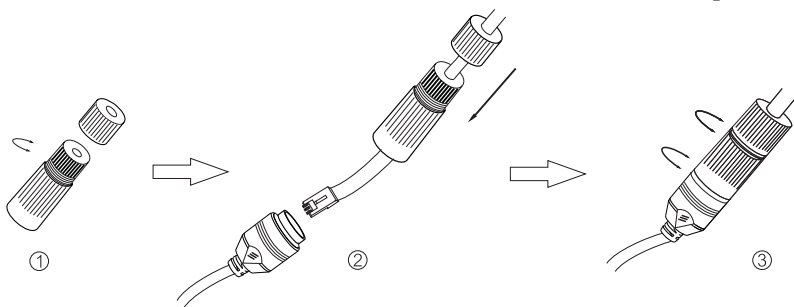
1	RJ-45 Ethernet	7	Power Cable
2	Audio In	8	Lens Cover
3	Audio Out	9	Reset
4	CVBS Output	10	Service Port
5	Alarm I/O		
6	RS-485		

Cable Connections

First connect the Waterproof Cap to an Ethernet patch cable, then connect the camera's ethernet adaptor. If not powering the camera with PoE, also connect the power Cable to an approved 12VDC Power Supply.



Weather Resistant Network Coupler

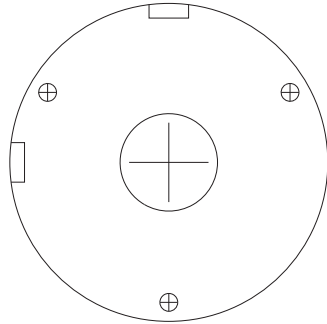


1. Loosen the nut from the Weather Resistant Network Coupler,
2. Run ethernet cable through coupler, then attach a RJ-45 connector.
3. Tighten the nut and coupler for a weather resistant seal.

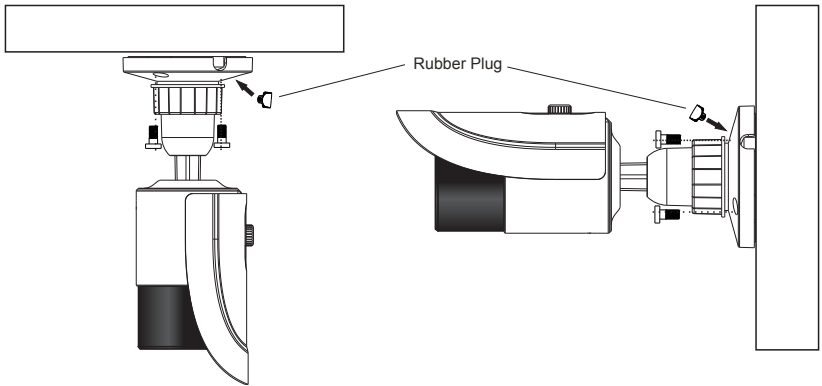
Installation

Before beginning installation, make sure that the wall or ceiling is strong enough to withstand 3 times the weight of the camera. The mounting steps are as follows:

1. Attach the drill template to the place where you want to install the camera, then drill 3 screw holes and 1 cable hole (if you want to route the cables through the mounting base) according to the drill template



2. Route the cables and connect the power & video cables, use the rubber plug to fill the gap of the mounting base. then secure the mounting base to the ceiling or wall with screws.

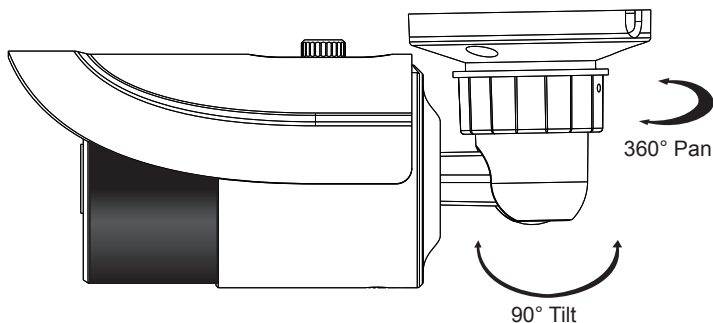


Ceiling Mounted

Wall Mounted

Installation

3. Loosen the mount lock to adjust the Pan and Tilt of the camera, then tighten the mount lock to secure the viewing angle adjustments.



4. Carefully remove the protective film from the lens to complete the installation.

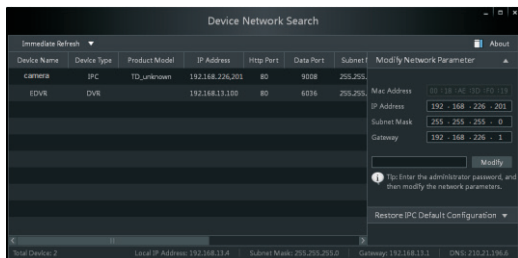
LAN Configuration

The camera can be accessed on the local network either using the IP-Tool or directly in a web browser.

1. Attach the drill template to the place where you want to install the camera, then drill 3 screw holes and 1 cable hole (if you want to route the cables through the mounting base) according to the drill template

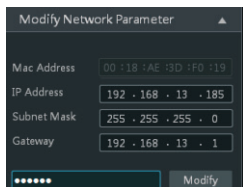
Accessing the Camera Using the IP-Tool

1. Make sure the camera and PC are connected to the LAN.
2. Locate the IP-Tool installer on the included Product Documentation CD, then install on the PC. Open the installed application.



3. Modify the IP address. The default IP address is 192.168.226.201. Click the information of the camera listed in the above table to show the network information on the right side. Modify the IP address and gateway of the camera and make sure its network address is in the same local network segment as the computer's. Please modify the IP address of your device according to the practical situation.

For example, the IP address of your computer is 192.168.13.4. So the IP address of the camera shall be changed to 192.168.13.X. After modification, please input the password of the administrator and click "Modify" button to modify the setting.



** Default admin password: "123456".

4. Double-click the IP address and then the system will pop up the web browser to connect IP-CAM . IE browser will download the Active X control automatically. After downloading, a login window will pop up as shown below:



Input the user name and password to log in.
Default user name: admin / Default password: 123456.

Directly Access Through a Web Browser

The default network settings are as shown below:

IP address: 192.168.226.201 HTTP: 80

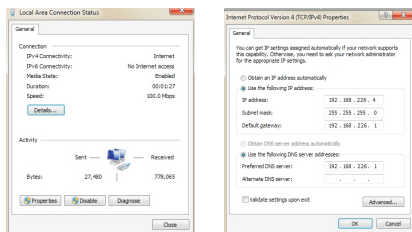
Subnet Mask: 255.255.255.0 Data Port: 9008

Gateway: 192.168.226.1

You may use the above default settings when you log in the camera for the first time.

1. Manually set the IP address of the PC and the network segment should be as the same as the default settings of IP-CAM. Open the network and share center. Click “Local Area Connection” to pop up the following window.

Select “Properties” and then select Internet protocol according to the actual situation (for example: IPV4). Next, click “Properties” button to set the network of the PC.



- Open the IE Browser and input the default address of IP-CAM and confirm. The IE browser will download Active X control automatically.
- After downloading Active X control, the login dialog box will pop up.
- Input the default username and password and then enter to view.

WAN Configuration

Access the camera by the router or virtual server for example.

- Make sure the camera is connected to the LAN; Then log into the camera via LAN and go to System Config→Network Config→Port menu to set up the port number.
- Enter System Config→Network Config→IP Address menu to modify the IP address.

Network basic config	
HTTP Port	80
Data Port	9008
RTSP Port	554

IP Config	
<input type="radio"/> Obtain an IP address automatically	
<input checked="" type="radio"/> Use the following IP address:	
IP Address	192.168.6.6
Subnet Mask	255.255.255.0
Gateway	192.168.6.1
<input type="radio"/> Obtain DNS server address automatically	
<input checked="" type="radio"/> Use the following DNS server:	
Preferred DNS server:	192.168.6.1
Alternate DNS server:	8.8.8.8

- Go to the router's management interface through IE browser to forward the IP address and port of IP-CAM in the "Virtual Server".

Port Range					
Application	Start	End	Protocol	IP Address	Enabl
1	9008	to 9008	Both	192.168.6.6	<input checked="" type="checkbox"/>
2	80	to 81	Both	192.168.6.6	<input checked="" type="checkbox"/>
3	10000	to 10001	Both	192.168.6.166	<input type="checkbox"/>
4	21000	to 21001	Both	192.168.6.156	<input type="checkbox"/>
5	7777	to 7778	Both	192.168.6.206	<input type="checkbox"/>
6	1029	to 1030	Both	192.168.6.207	<input type="checkbox"/>

- Open the web browser and input its WAN IP and HTTP port to access the IP-CAM.