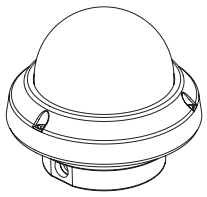


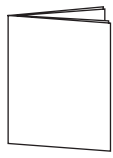
# QUICK START GUIDE

**VITEK** INDUSTRIAL VIDEO PRODUCTS, INC. **VTC-MV2NZ**  
ENVI 2.1MP Vandal Resistant  
AFZ/WDR IR Network Dome  
Camera

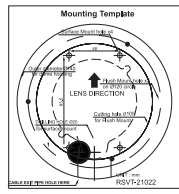
## Package Includes



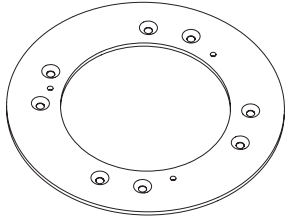
Dome Camera



Operating Instructions



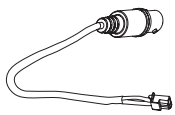
Mounting Template



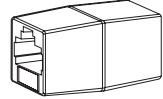
Flush Mount Trim Ring



Complete Installation and  
Operation Instructions on CD



Video Sub-out Cable  
(1pc)

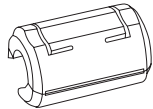


Coupler for  
RJ45 Cable (1pc)

Plastic Anchor:  
6 x 30mm (4pcs)



EMI Ferrite  
Core (1pc)



Mounting Screw:  
4 x 30mm (4pcs)



Torque Wrench:  
3mm (1pc)



2

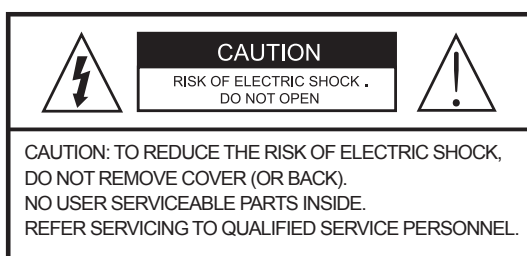


- 1/2.9" Sony® CMOS
- 2.1 MegaPixel With full 1080p/720p Output
- Up to 30fps live view @ 1920x1080 (1080p)
- MegaPixel IR Corrected 3-9mm (VTD-MV2NZ39) / 9-22mm (VTD-MV2NZ922) Varifocal Lens
- Mechanical IR Cut Filter (True Day/Night)
- H.264/MJPEG Dual Streaming
- 16:9 Video format
- On-board Intelligence (OBI Technology) delivers Auto-Focus-Zoom by tracking motion, then optically zooming in to that area of the frame
- Two High Power 850nm IR LEDs with up to 80' foot range
- Fully programmable advanced WDR
- Onvif Compliance
- Integrated Cooling Fan
- Micro SD memory card slot for Local recording
- Advanced OSD Functions: Motion Activated Pointing Zoom, Defog, Dynamic IR, BLC/HLC, Motion Deblur, Pixel Defect Compensation, Title Set, Mirror, Flip
- Heavy Duty IP68 rated weather/vandal resistant aluminum construction
- 12VDC/24VAC & PoE (Power over Ethernet) Operation

VITEK

## Safety Precaution

- To prevent electrical shock and/or fire hazard, use only specified power source



The symbol is intended to alert the user to the presence of uninsulated "dangerous voltage" within the product's enclosure that may be of sufficient magnitude to constitute a risk of electric shock to persons .



The symbol is intended to alert the user to the presence of important operating and maintenance(servicing) instructions in the literature accompanying the unit.

### Warning :

This equipment has been tested and found to comply with the limits for a Class A digital device, pursuant to part 15 of the FCC Rules. These limits are designed to provide reasonable protection against harmful interference when the equipment is operated in a commercial environment . This equipment generates, uses, and can radiate radio frequency energy and, if not installed and used in accordance with the instruction manual, may cause harmful interference to radio communications. Operation of this equipment in a residential area is likely to cause harmful interference in which case the user will be required to correct the interference at his own expense.

### Caution :

Any changes or modifications in construction of this device which are not expressly approved by the party responsible for compliance could void the user's authority to operate the equipment.

Main power quality should be that of a typical commercial environment. If the user of the model requires continued operation during power interruptions, it is recommended that the model be powered from an uninterruptible power supply (UPS) or a battery.

3

## Safety Precaution

### NOTICE

- The image used in this instruction manual are processed to help comprehension and may differ from actual video of the camera.
- Avoid installing in areas where shock or vibration may occur.
- Pay attention to safety when installing the connection cable and observe that the cable is not subjected to heavy loads, kinks or damage and no moisture can get
- Never open the device no user serviceable parts
- The warranty becomes void if repairs are undertaken by unauthorized persons.
- Maintenance and repair have to be carried out only by authorized service centers.
- Use only a mild detergent to clean the housing.
- The camera should never be operated beyond the technical specifications. This can lead to damage to the camera and void the warranty.
- The camera should never be operated in water.

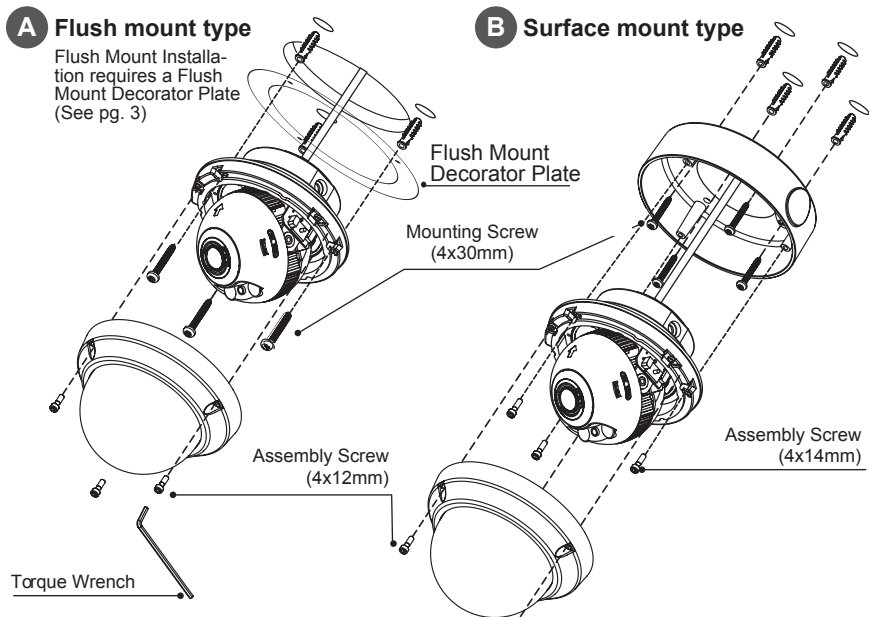
Complete Installation and Operation Instructions can be found on Included CD.



4

# Installation Instructions

1. Locate the mounting template at the installation position and drill the ceiling or wall if needed.
2. Open the dome cover by loosening screws(3x12mm). Use the torque wrench supplied.
  - A. Flush mount type: (See optional Dome Mounts pg.3)
    - Place the dome base unit on pre-drilled position and attach using mounting screws (4x30mm).
    - Route the Ethernet & Power cable to the connecting place.
  - B. Surface mount type (Option): (See optional Dome Mounts pg.3)
    - Place the surface mount on pre-drilled position and attach using mounting screws (3x30mm). Assemble the cable conduit, otherwise tighten a conduit hole cap.
    - Route the Ethernet & Power cable to the connecting place.
    - Affix the dome base unit to the surface mount using the assembly screws (4x14mm). Before attaching the dome base make sure the assembly holes are aligned with the surface mount assembly holes.
4. Set the camera's viewing angle.
5. Replace the dome cover to the dome base unit and tighten the assembly screws.

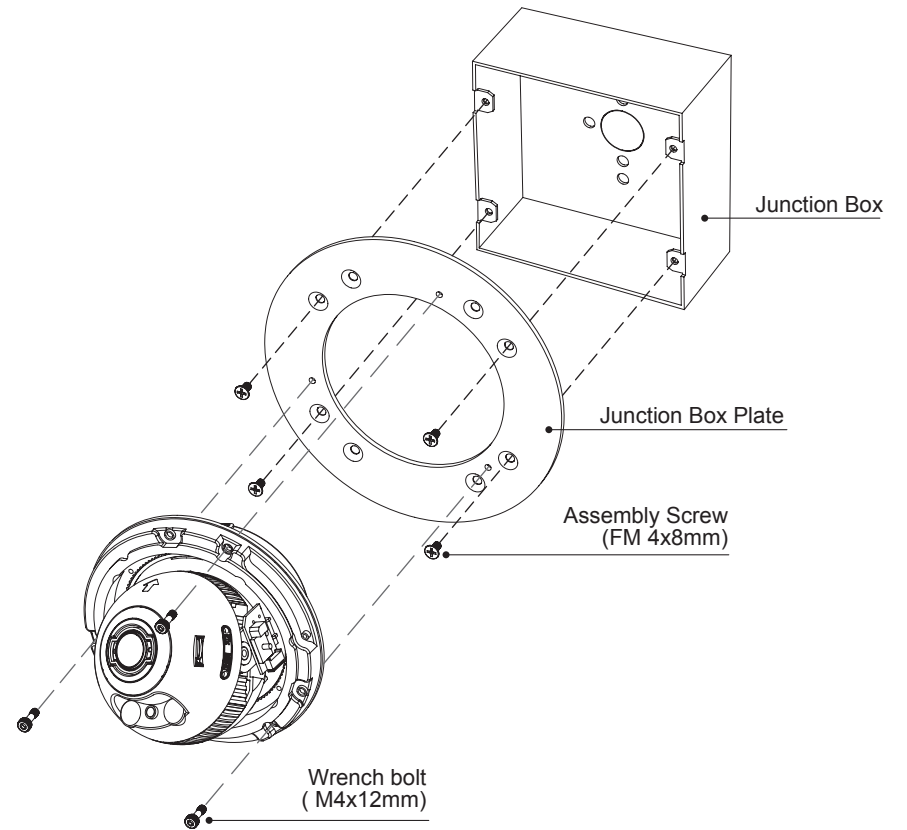


5

# Installation Instructions

## Mounting to Junction Boxes

The Dome camera with flush mount application, pre-drilled mounting holes on. Dome housing accommodate various junction boxes, making installation easy and less time consuming.



6

# Installation Instructions

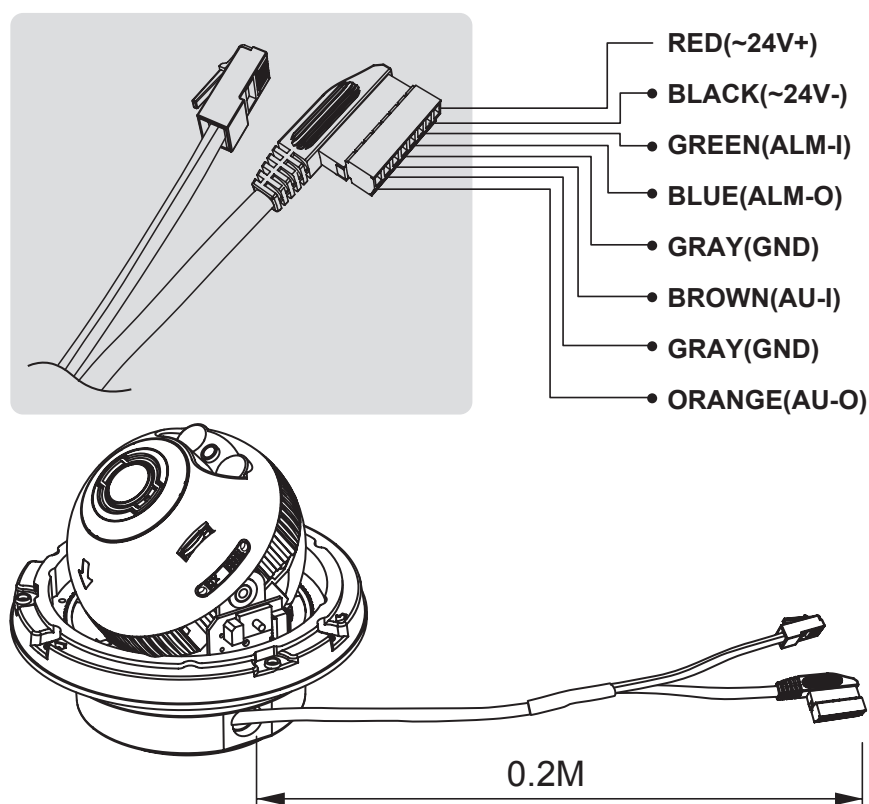
## Power Supply Connections

- Make sure the power is removed before installation.
- After all connections are finished properly, follow the order for applying power.

- a) Plug the network cable into RJ-45 Ethernet Port at the rear panel. If PoE is the unique power, there will be no need to connect Power terminal.
- b) When DC12V or AC24V Local power is necessary, first connect the low voltage (DC12V or AC24V), then plug the AC adapter to AC outlets to avoid an improper reset from power spike and damage from a voltage surge with no load.

When PoE and Local power are connected, Local power has priority

Camera can work with either 24VAC or 12VDC, dual voltage power and PoE (IEEE Std. 802.3af). Primary and secondary grounds are completely isolated to avoid the possible ground-loop problems.



7

# LIMITED LIABILITY WARRANTY

VITEK products carry a three (3) year limited warranty. VITEK warrants to the purchaser that products manufactured by VITEK are free of any rightful claim of infringement or the like, and when used in the manner intended, will be free of defects in materials and workmanship for a period of three (3) years, or as otherwise stated above, from the date of purchase by the end user. This warranty is nontransferable and extends only to the original buyer or end user customer of a VITEK Authorized Reseller.

The product must have been used only for its intended purpose, and not been subjected to damage by misuse, willful or accidental damage, caused by excessive voltage or lightning.

The product must not have been tampered with in any way or the guarantee will be considered null and void.

This guarantee does not affect your statutory rights.

Contact your local VITEK Reseller should servicing become necessary.

VITEK makes no warranty or guarantee whatsoever with respect to products sold or purchased through unauthorized sales channels. Warranty support is available only if product is purchased through a VITEK Authorized Reseller.



28492 CONSTELLATION ROAD  
VALENCIA, CA 91355  
WWW.VITEKCCTV.COM

Version 1.0  
Oct. 2014

8