

VT-SMKC9/H

700TVL 960H Covert Color
Smoke Detector Camera



Discreet surveillance made easy. This simple plug and play camera allows for vertical adjustment to obtain the optimum viewing angle with ease. Comes with a 3.6mm wide angle lens. Optional lenses are also available ranging from 2.8mm to 25mm.

FEATURES

- SONY® 1/3 Super HAD CCD II 960H CCD, ultra-high 700 TV lines resolution
- Minimum Illumination of Color: 0.3 lux B/W: 0.01 lux
- Camera Mounted On Adjustable Gimbal To Achieve the Perfect Viewing Angle
- 3.6mm Standard lens Included (Optional 2.8mm to 25mm Available)
- Dimensions: 5.12" (OD) X 2.29" (H)



(888) VITEK-70 | WWW.VITEKCCTV.COM
28492 Constellation Road Valencia, CA 91355

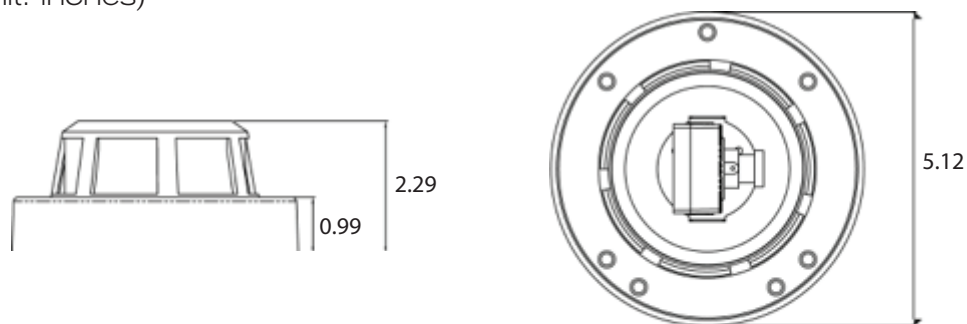
VT-SMKC9/H

700TVL 960H Covert Color
Smoke Detector Camera

Detailed Specifications	VT-SMKC9/H
Image Device	1/3" Sony® Super HAD CCD II
Effective Pixels	<NTSC>: 976(H)*494(V) ; <PAL>: 976(H)*582(V)
Resolution	700 TV Lines 960H
Lens	3.6 mm Board Lens
Minimum Illumination	Color:0.3lux B/W:0.01lux
S/N Ratio	More than 50dB
Electronic Shutter	<NTSC>: 1/60~1/100,000 sec ; <PAL>: 1/50~1/100,000 sec
AGC	On
White Balance	ATW
Digital WDR	ON
Back Light Compensation	BLC
Day/Night Mode	Auto
2DNR	ON
Lens Shading	ON
Sync. Mode	Internal Sync.
Scanning System	2:1 Interlace
Gamma Correction	0.45
Horizontal Sync. Frequency	<NTSC>: 15.734 KHz ; <PAL>: 15.625KHz
Vertical Sync. Frequency	60Hz
Video Output	Composite: 1.0 Vp-p / 75 Ohm
Power Source	12 VDC
Power Consumption	350mA
Operation Temperature	-10° ~ 50°C (14° ~ 122°F) Less Than 80% RH
Standard Lens	f3.6mm (Optional 2.8mm to 25mm Available)
Dimensions (W x H)	5.12" x 2.29" (130 x 58mm)
Weight	12.34 Oz. / 350 g. / 0.77 Lbs.

* Depending on Scene Reflection

DIMENSIONS (unit: inches)



(888) VITEK-70 | WWW.VITEKCCTV.COM
28492 Constellation Road Valencia, CA 91355