

# VTD-IR281 1DN

560 TV Line Indoor Day/Night IR Dome Camera



## FEATURES

- 1/3" Color CCD with 560 TV of Lines Resolution (600 TV Lines in B/W mode)
- 20 Infrared LEDs enable Viewing in Total Darkness up to 65 Feet
- 2.8-11mm Varifocal DC Auto Iris Lens Included
- 3-Axis Camera Bracket to help achieve the perfect viewing angle
- OSD (On Screen Display) for setup and configuration with RS-485 Support
- Integrated Digital Motion Detection and Privacy Zones
- Digital Wide Dynamic Range Function (D-WDR)
- 12VDC/24VAC Dual Voltage Operation



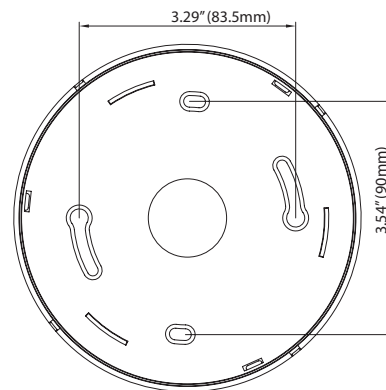
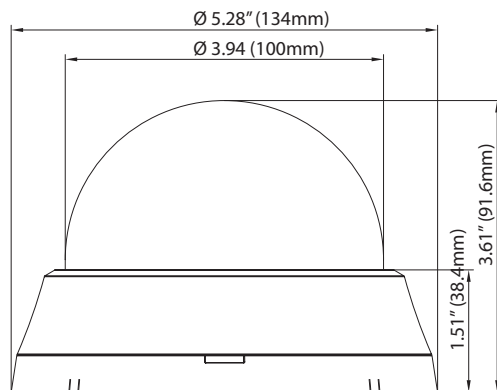
(888) VITEK-70 | [WWW.VITEKCCTV.COM](http://WWW.VITEKCCTV.COM)  
28492 Constellation Road Valencia, CA 91355

# VTD-IR2811DN

560 TV Line Indoor Day/Night IR Dome Camera

## Detailed Specifications

Image Device	1/3" Super HAD CCD
Resolution	Color : 560 TV Lines, B/W : 600 TV Lines
Effective Pixels (Total)	768 x 494 (811x 508)
Scanning system	2:1 Interlace
Synchronization	Internal
S/N Ratio	52 dB (AGC Off, Weight ON)
Frequency	NTSC : Horizontal : 15.743KHz Vertical : 59.94Hz
Min. Illumination	0.00001 Lux (DSS), 0.2 Lux (DSS OFF) at F1.2
IR LED	20 IR LED at 850nm (40° Beam Spread)
IR Range	65 Feet (20M)
Day & Night	COLOR / Black & White / AUTO
Digital Zoom	ON / OFF (x32 max)
Varifocal Lens	2.8-11mm DC Auto Iris Varifocal Lens (Included)
IRIS Control	DC / Manual Lens
OSD Languages	English, Korean, Japanese, Chinese (1,2)
OSD Functions	D-WDR, BLC, White Balance, ESS, Sens, Gain, DNR, V-REV, H-REV, Freeze, Sharpness
Motion Detection	ON / OFF (4 Zones)
Privacy	ON / OFF (8 Zones)
Power Source	Dual Voltage: 12VDC / 24VAC
Power Consumption	DC12(450mA)/AC24(230mA)
Operation Temp.	14F~122F (-10C ~ 50C) / 30% to 80% RH
Dimension (Dia. x H)	5.28" x 3.61" (134mm x 91.6mm)
Weight	15.87 oz. (450g)



(888) VITEK-70 | [WWW.VITEKCCTV.COM](http://WWW.VITEKCCTV.COM)  
28492 Constellation Road Valencia, CA 91355