



Unique slanted base design.

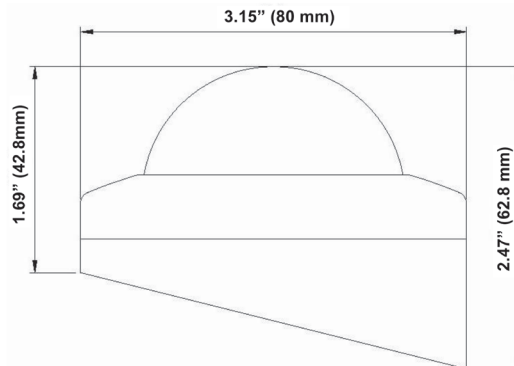
### FEATURES

- 1/3" 2.1 MegaPixel Progressive Scan CMOS Sensor
- HD-TVI & CVBS Video Output
- 2.9mm Lens Included (8 and 16mm also available)
- Digital Wide Dynamic Range (D-WDR)
- 2D-DNR - Two Dimensional Motion Adaptive Noise Reduction
- Detachable External OSD Joystick Controller
- Advanced OSD Functions: BLC/HLC, D-WDR, Motion detection, Privacy mask, Flip, DeFog
- Over 1500' HD Video Transmission (Depending on cable characteristics and integrity)
- Can be Semi-Flush or Surface Mounted
- IP-66 Rated Weather Resistant Aluminum Enclosure w/Polished Chrome Finish
- 12VDC Operation

# HD-TVI

### Detailed Specifications

Imaging Sensor	1/3" Progressive Scan CMOS Sensor
Video Output	HD-TVI by BNC - CVBS by BNC
Resolution	2.1 MegaPixel (1920 x 1080)
Effective Pixels	1920(H) x 1080(V)
S/N Ratio	More than 39.9dB (AGC Off)
Sensitivity	0.1 Lux
Lens Type	2.9mm Lens Included (3.6, 6, 8, 12 and 16mm also available)
DAY / NIGHT	Auto
White Balance	Auto
DNR	2D-DNR
Advanced OSD Features	BLC/HLC, D-WDR, Motion detection, Privacy mask, Flip, DeFog
Weather Resistance Rating	IP-66
Operating Conditions	14° ~ 122°F (-10° ~ +50°C) < 80% RH
Input Voltage	12VDC
Power Consumption (12VDC)	100mA
Weight	14.11 Oz. (400g)
Dimensions (W x H x L)	3.15" x 1.69"/2.47" (80mm x 42.8mm/62.8mm)



# HD-TVI